
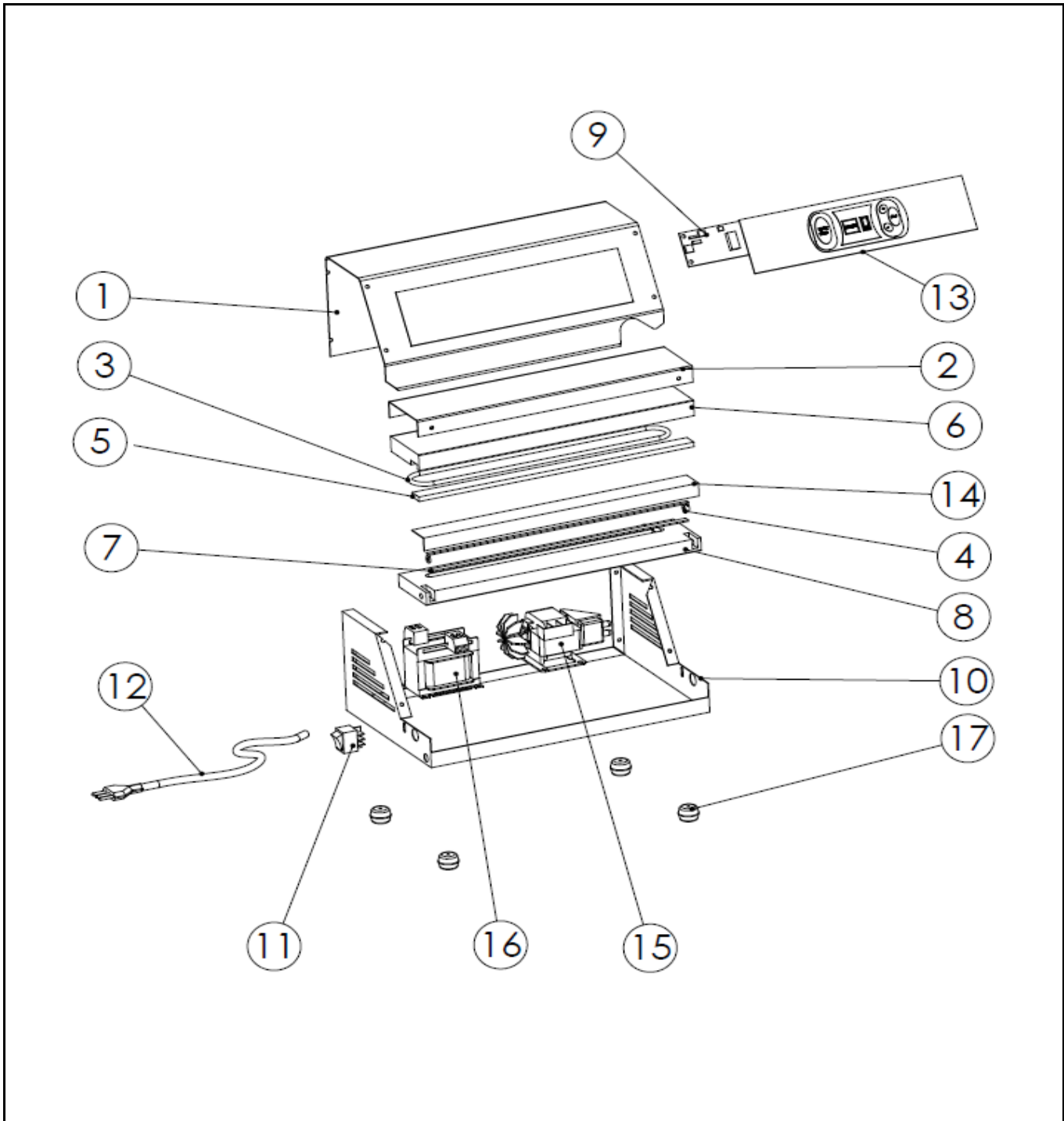



Drawing

 <b>HENDI</b> FOOD SERVICE EQUIPMENT  Hendi B.V. Steenoven 21 3911 TX Rhenen The Netherlands	<b>Batch #</b>	<b>Appliance part#</b>
	000608 and up	970362
	<b>Description</b>	
	Vacuum packaging machine Profi Line	

<b>Date</b>	06-04-2016	<b>Revision #</b>	Revision version
<b>Revision</b>	First bill of materials (BOM)		



**Bill of materials (BOM)**

 <b>Hendi B.V.</b> Steenoven 21 3911 TX Rhenen The Netherlands	<b>Batch #</b>	<b>Appliance part#</b>
	000608 and up	<b>970362</b>
	<b>Description</b>	
Vacuum packaging machine Profi Line		


<b>Date</b>	06-04-2016	<b>Revision #</b>	Revision version
<b>Revision</b>	First bill of materials (BOM)		

Item	Description	Part#	Quantity	Remark	Picture
1	Top cover	n/a	1		
2	Upper cover	n/a	1		
3	Gasket lid	930465	1		
4	Sealing wire	932193	1	(sold p/m)	
5	Silicone sealing	932179	1		
6	Polyethylene plate	n/a	1		
7	Silicone sealing (sealing wire)	932186	1	(sold p/m)	
8	Polyethylene plate	n/a	1		
9	Display pcb	939635	1		
10	Housing	n/a	1		
11	Switch	939642	1		
12	Powercord	n/a	1		
13	Display sticker	n/a	1		
14	Teflon tape	939673	1	(sold p/m)	
15	Vacuum pomp 20l/min	939703	1		
16	Transformer 80W	939673	1		
17	Rubber feet	939697	4	(sold p/pc)	

n/a -> not available

nss -> not sold separately

### Circuit diagram

 <b style="font-size: 2em; font-weight: bold;">HENDI</b> FOOD SERVICE EQUIPMENT  <b>Hendi B.V.</b> Steenoven 21 3911 TX Rhenen The Netherlands	<b>Batch #</b>	<b>Appliance part#</b>
	000608 and up	970362
	<b>Description</b>	
	Vacuum packaging machine Profi Line	

<b>Date</b>	06-04-2016	<b>Revision #</b>	Revision version
<b>Revision</b>	First bill of materials (BOM)		

