



HENDI

Tools for Chefs

Food dehydrator Profi Line

229026, 229033



You should read this user manual carefully before using the appliance.

Bevor Sie das Gerät in Betrieb nehmen, sollten Sie diese Gebrauchsanweisung aufmerksam lesen.

Alvorens de apparatuur in gebruik te nemen dient u deze gebruiksaanwijzing aandachtig te lezen.

Przed uruchomieniem urządzenia należy koniecznie dokładnie przeczytać niniejszą instrukcję obsługi.

Lisez attentivement ce mode d'emploi avant d'utiliser l'appareil .

Prima di utilizzare l'apparecchio in funzione leggere attentamente le istruzioni per l'uso.

Citiți cu atenție prezentul manual de utilizare înainte de folosirea aparatului.

Внимательно прочитайте руководство пользователя перед использованием прибора.

Πρέπει να διαβάσετε αυτές τις οδηγίες χρήσης προσεκτικά πριν χρησιμοποιήσετε τη συσκευή.



Keep these instructions with the appliance.
Diese Gebrauchsanweisung bitte beim Gerät aufbewahren.
Bewaar deze handleiding bij het apparaat.
Zachowaj instrukcję urządzenia
Gardez ces instructions avec cet appareil.
Conservate le istruzioni insieme all'apparecchio.
Păstrați manualul de utilizare alături de aparat.
Хранить руководство вместе с устройством.
Φυλάξτε αυτές τις οδηγίες μαζί με τη συσκευή.




For indoor use only.
Nur zur Verwendung im Innenbereich.
Alleen voor gebruik binnenshuis.
Do użytku wewnątrz pomieszczeń.
Pour l'usage à l'intérieur seulement.
Destinato solo all'uso domestico.
Doar pentru uz la interior.
Использовать только в помещениях.
Για χρήση μόνο σε εσωτερικό χώρο.



Dear Customer,

Thank you for purchasing this HENDI appliance. Before using the appliance for the first time, please read this manual carefully, paying particular attention to the safety regulations outlined below.

Safety regulations


- This appliance is intended for commercial use only.
- The appliance must only be used for the purpose for which it was intended and designed. The manufacturer is not liable for any damage caused by incorrect operation and improper use.
- Keep the appliance and electrical plug away from water and any other liquids. In the event that the appliance should fall into water, immediately remove plug from the socket and do not use until the appliance has been checked by a certified technician. Failure to follow these instructions could cause a risk to lives.
- Never attempt to open the casing of the appliance yourself.
- Do not insert any objects in the casing of the appliance.
- Do not touch the plug with wet or damp hands.
-  **Danger of electric shock!** Do not attempt to repair the appliance yourself. In case of malfunctions, repairs are to be conducted by qualified personnel only.
- **Never use a damaged appliance!** Disconnect the appliance from the electrical outlet and contact the retailer if it is damaged.
- **Warning!** Do not immerse the electrical parts of the appliance in water or other liquids. Never hold the appliance under running water.
- Regularly check the power plug and cord for any damage. If the power plug or power cord is damaged, it must be replaced by a service agent or similarly qualified persons in order to avoid danger or injury.
- Make sure the cord does not come in contact with sharp or hot objects and keep it away from open fire. To pull the plug out of the socket, always pull on the plug and not on the cord.
- Ensure that the cord (or extension cord) is positioned so that it will not cause a trip hazard.
- Always keep an eye on the appliance when in use.
- **Warning!** As long as the plug is in the socket the appliance is connected to the power source.
- Turn off the appliance before pulling the plug out of the socket.
- Never carry the appliance by the cord.
- Do not use any extra devices that are not supplied along with the appliance.
- Only connect the appliance to an electrical outlet with the voltage and frequency mentioned on the appliance label.
- Connect the power plug to an easily accessible electrical outlet so that in case of emergency the appliance can be unplugged immediately. To completely switch off the appliance pull the power plug out of the electrical outlet.
- Always turn the appliance off before disconnecting the plug.

EN



- Never use accessories other than those recommended by the manufacturer. Failure to do so could pose a safety risk to the user and could damage the appliance. Only use original parts and accessories.
- This appliance is not intended for use by persons (including children) with reduced physical, sensory or mental capabilities, or lack of experience and knowledge.
- This appliance must not be used by children under any circumstances.
- Keep the appliance and its cord out of reach of children.
- Always disconnect the appliance from the mains if it is left unattended or is not in use, and before assembly, disassembly or cleaning.
- Never leave the appliance unattended during use.

Special Safety Regulations

- Use the appliance as described in the manual.
- This appliance should be operated and installed by specialized trained personnel in the kitchen of the food industry such as catering, restaurant, bar, etc.
- All maintenance, installation and repair works should be performed by specialized trained authorized technicians.
-  **Caution! Hot surface. Danger of burns!** Do not touch the appliance while in use as the temperature of the accessible surfaces may be very high.
- Do not place the appliance on a heating object (gasoline, electric, charcoal cooker, etc.) Keep the appliance away from any hot surfaces and open flames. Always operate the machine on a level, stable, clean, heat-resistant and dry surface.
- Do not use the appliance near explosive or flammable materials, credit cards, magnetic discs or radios.
- Do not place heavy objects on top of the appliance.
- Never cover the appliance or ventilation holes with other objects. (e.g. dishcloth).
- **Caution!** Securely route the power cord if necessary in order to prevent unintentional pulling or contact with the heating surface.
- Do not wash the machine with water or a waterjet. Washing with water can cause leakage and increase the risk of electric shock. No parts are dishwasher safe.
- Do not clean or store the machine unless it is completely cooled down.
- Special care should be taken when moving or transporting the machine as it is too heavy. With at least 2 people or using a trolley for assistance.

Intended use

- This appliance is intended for professional use.
- This appliance is designed only for drying appropriate food such as vegetables, fruits, etc. Any other use may lead to damage of the appliance or personal injury.

- Operating the appliance for any other purpose shall be deemed a misuse of the device. The user shall be solely liable for improper use of the device.

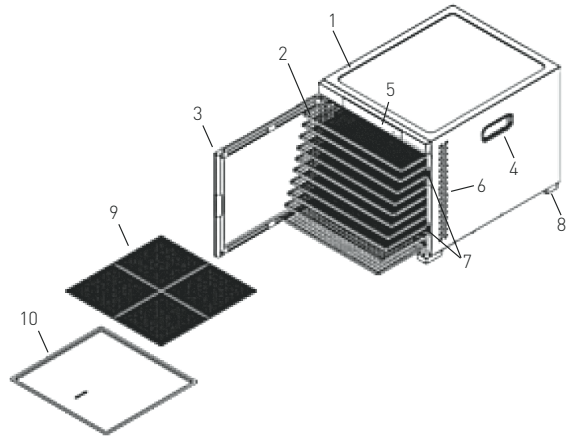
Grounding installation

This appliance is classified as protection class I appliance and must be connected to a protective ground. Grounding reduces the risk of electric shock by providing an escape wire for the electric

current. This appliance is equipped with a cord having a grounding wire with a grounding plug. The plug must be plugged into an outlet that is properly installed and grounded.

Main parts of the appliance

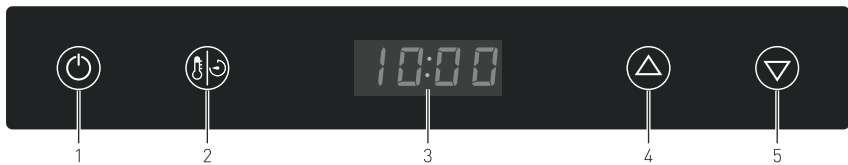
- 1) Metal housing
- 2) Stainless steel grid (x 10 for item 229026; x 6 for item 229033)
- 3) Door
- 4) Handle (x2)
- 5) Control panel
- 6) Ventilation holes
- 7) Magnetic bar (x2)
- 8) Foot (x4)
- 9) Mesh (x1)
- 10) Bottom pad (x1)



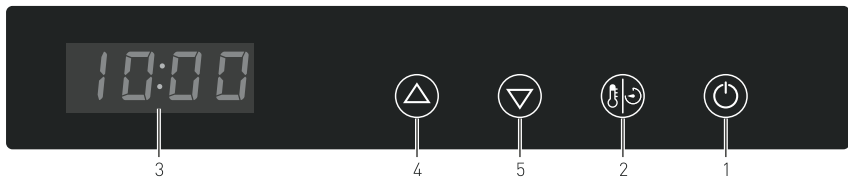
EN

Control panel of the appliance

Item: 229026



Item: 229033



- 1) ON / OFF button
- 2) TEMP / TIME button
- 3) LED display

- 4) Increase setting (TEMP / TIME)
- 5) Decrease setting (TEMP / TIME)



Preparations before first use

- Check the appliance for damage. In case of any damage, contact your supplier immediately and DO NOT use the appliance.
- Unpack the appliance carefully and remove all protective packaging and wrapping. Make sure no packaging debris remains on the appliance.
- Check delivery contents for any missing parts (10 stainless steel grids for item 229026; 6 stainless steel grids for item 229033, mesh, bottom pad) and any possible transport damage. In the event of damage caused by transit or any parts are missing, contact your supplier immediately.
- Clean the enclosure, stainless steel grids, bottom pad with a soft damp cloth with some mild detergent. (See ==> Cleaning and Maintenance). Make sure all the parts are completely dry before start operating the appliance.
- Place the appliance on a horizontal, stable, clean and fire-resistant surface.
- Make sure that a clearance of 15cm is maintained around the appliance for adequate ventilation.
- Position the appliance in such a way that the plug is accessible at all time.
- Place a bottom pad at the bottom to collect any food residue during operation.
- Add a mesh on the stainless steel grid for small size of food.

Note: After cleaning the appliance, it must be switched ON (See ==> Operation) for about 30 minutes with temperature set at 75°C. There is some odour or smoke evolved during the first few cycles. This is normal and does not indicate any defect or hazard. Make sure the appliance is well ventilated.

Guidelines for food preparation

- For the reason of safe and hygienic preservation, wash all the food well before drying.
- Only process non-perished food, any blemishes are to be removed generously.
- Dehydration results are more even if the food is cut into pieces of roughly the same size.
- To reduce the desiccating time, cut the food in thinner slices or pieces.
- The prepared food is to be desiccated in a continuous process. Do not interrupt the dehydrating process.

Approximate dehydration time and particular food preparation guidelines

The time required for dehydrating is greatly dependent on the kind of food to be dried, their mois-

ture content, ripeness, thickness, temperature setting and humidity of the inside chamber.

Storing of dried food

- Allow the dried food to cool well before storing. Also make sure that they are absolutely dry. This is essential for proper storage.
 - To prevent deterioration, dried food must be prevented from absorbing humidity during storage.
 - Therefore, any storage tins, glasses or plastic bags should be sealed airtight. Vacuum packaging would be the appropriate storage method.
 - Desiccated food should be stored in a dry, cool and clean area to ensure a long storage time.
-

Operation

- Place the appliance on a horizontal, stable, non-slip, and heat-resistant surface.
- Position the food evenly on the trays, ensuring they do not overlap. In order to have good ventilation inside the appliance, 10% of the tray's surface should be free from food.
- Remove any trays that are not being used. A total of ten trays can be used at the same time.
- When inserting the trays, ensure they are aligned with the same side board correctly. Then, close the door firmly.
- Next, connect the power plug to a suitable electrical power supply socket and the appliance is now in the STANDBY mode. There is a beep sound and ON / OFF button will be lighted up in blue and the LED display will be shown as " 0000 " in white.

- Press the ON / OFF button to start the operation, the LED display will show the default time

Time setting:

- Now, you can press button + or - to increase or decrease operation time. (Range: 00:30 ~ 24:00, interval is 30 minutes).
- The setting time will be stored automatically within few seconds.

Temperature setting:

- Press TEMP / TIME button once to check the temperature setting, you can also press button + or - to increase or decrease operation temperature setting. (Default temperature: 70°C, range: 35°C ~ 75°C, interval is 5°C).
- The setting temperature will be stored automatically within few seconds and return to display remaining time on the LED display.

Switch to STANDBY mode

- Press ON / OFF button to turn to STANDBY mode. All the buttons will go out except the ON / OFF button. And the LED display will be shown as " 0000 " in white.

Time setting end up

- When the setting time counts down to 00:00, the heating elements stop working first. The cooling fan will still continue running for about 10 seconds and 20 times of "beep" sound from the buzzer will be heard to remind the user the operation is finished.

Cleaning and Maintenance

Attention: Always unplug the appliance from the electrical power outlet and let it cool down completely before cleaning.

Cleaning

- Clean the inside and outside of the appliance, trays, bottom pad and door with luke-warm water, a mild detergent and a soft cloth. Do not clean the fan part.
- Dry all parts with a dry cloth before storing the appliance.

Storage

- Before storage, always make sure the appliance has already been disconnected from the electrical outlet and cooled down completely.

"10:00" (10 hours). All buttons on the control panel will be lighted up in blue.

- Then, the appliance will start operation and remaining time will be shown on the LED display. The fan at the rear side of the appliance will start rotation.
- If you want to check the temperature that was set, press TEMP / TIME button once and the set temperature will be shown on the LED display.
- During the operation process, you can check or change the time and temperature setting by pressing the TEMP / TIME button. And then press button + or - to increase or decrease the temperature and time setting.

- 'End' will be shown on the LED display and the appliance is in STANDBY mode.
- Unplug the appliance and wear gloves (not included) if necessary to take out the food.



Troubleshooting

If the appliance does not function properly, please check the below table for the solution. If you are still unable to solve the problem, please contact the supplier/service provider.

Problem	Possible cause	Solution
On/off switch doesn't light red	No power	Check if the plug is connected to the power socket
	Switch defect	Contact the supplier
Chamber doesn't get warm	Heating element, thermostat or fan might be defect	Contact the supplier
Chamber get's too warm	Heating element or thermostat might be defect	Contact the supplier
Drying takes to long	Humid conditions	Place the appliance in a less humid environment
	Heating element, fan or thermostat is defect	Contact the supplier

Technical specification

Item no.	229026	229033
Operating voltage and frequency	220- 240V~ 50-60Hz	
Rated input power	900 - 1100W	550 - 650W
Temperature setting range	35°C ~ 75°C	
Time setting range	30 minutes to 24 hrs	
Protection class	Class I	
No. of shelving	10	6
Dimensions	417x535x(H)430 mm	340x450x(H)311 mm

Remark: Technical specification is subjected to change without prior notification.

Warranty

Any defect affecting the functionality of the appliance which becomes apparent within one year after purchase will be repaired by free repair or replacement provided the appliance has been used and maintained in accordance with the instructions and has not been abused or misused in any way. Your statutory rights are not affected. If the appliance is claimed under warranty, state where and

when it was purchased and include proof of purchase (e.g. receipt).

In line with our policy of continuous product development we reserve the right to change the product, packaging and documentation specifications without notice.

Discarding & Environment

When decommissioning the appliance, the product must not be disposed of with other household waste. Instead, it is your responsibility to dispose to your waste equipment by handing it over to a designated collection point. Failure to follow this rule may be penalized in accordance with applicable regulations on waste disposal. The separate collection and recycling of your waste equipment at the time of disposal will help conserve natural re-

sources and ensure that it is recycled in a manner that protects human health and the environment. For more information about where you can drop off your waste for recycling, please contact your local waste collection company. The manufacturers and importers do not take responsibility for recycling, treatment and ecological disposal, either directly or through a public system.



Sehr geehrte Kundin, sehr geehrter Kunde,

wir danken Ihnen für den Kauf des Gerätes Hendi. Machen Sie sich bitte mit dieser Anleitung noch vor der Inbetriebnahme des Gerätes vertraut, um Schäden durch die unsachgemäße Bedienung zu vermeiden. Den Sicherheitsregeln ist besondere Aufmerksamkeit zu widmen.

Sicherheitsregeln

- Die unsachgemäße Bedienung des Geräts kann zur schweren Beschädigung des Geräts sowie zu Verletzungen führen.
- Dieses Gerät ist nur für den gewerblichen Gebrauch bestim.
- Das Gerät ist ausschließlich zu dem Zweck zu benutzen, zu dem es hergestellt wurde. Der Hersteller haftet nicht für Schäden, die auf unsachgemäße Bedienung des Geräts zurückzuführen sind.
- Den Kontakt des Gerätes und des Steckers mit Wasser oder einer anderen Flüssigkeit vermeiden. Den Stecker unverzüglich aus dem Stecker ziehen und das Gerät von einem anerkannten Fachmann prüfen lassen, wenn das Gerät unbeabsichtigterweise ins Wasser fällt. Bei Nichteinhaltung dieser Sicherheitsvorschriften besteht Lebensgefahr.
- Nie eigenständig das Gehäuse des Gerätes zu öffnen versuchen.
- In das Gehäuse des Gerätes keine Gegenstände einführen.
- Den Stecker nicht mit nassen oder feuchten Händen berühren.
- ⚠ **Gefahr eines Stromschlags!** Das Gerät darf nicht selbstständig repariert werden. Sämtliche Mängel und Unzulänglichkeiten sind ausschließlich durch qualifiziertes Personal zu beseitigen.
- **Niemals ein beschädigtes Gerät benutzen!** Das beschädigte Gerät vom Netz trennen und sich mit dem Verkäufer in Verbindung setzen.
- **Warnung:** Die Elektroteile des Gerätes dürfen weder in Wasser noch in andere Flüssigkeiten getaucht werden. Ebenso ist das Gerät nicht unter fließendes Wasser zu halten.
- Der Stecker und die Stromversorgungsleitung sind regelmäßig auf Beschädigungen zu prüfen. Der beschädigte Stecker oder Leitung sind an eine Servicestelle oder einer anderen qualifizierten Person zur Reparatur zu übergeben, um eventuellen Gefahren und Verletzungen des Körpers vorzubeugen.
- Man muss sich davon überzeugen, ob die Stromversorgungsleitung weder mit scharfkantigen noch mit heißen Gegenständen in Berührung kommt; halten Sie die Leitung weit entfernt von einer offenen Flamme. Um den Stecker aus der Netzsteckdose zu nehmen, muss man immer am Stecker und nicht an der Leitung ziehen.
- Die Stromversorgungsleitung (oder Verlängerungsleitung) ist vor dem zufälligen Herausziehen aus der Steckdose zu schützen. Die Stromversorgungsleitung muss so geführt werden, dass niemand zufällig darüber stolpern kann.
- Das Gerät muss während seiner Anwendung ständig kontrolliert werden.
- **Warnung!** Wenn der Stecker in der Netzsteckdose ist, muss man das Gerät als an die Stromversorgung angeschlossen betrachten.
- Bevor der Stecker aus der Netzsteckdose genommen wird, ist das Gerät auszuschalten.


DE



- Das Gerät darf beim Tragen nicht an der Leitung gehalten werden.
- Benutzen Sie kein Zubehör, das nicht mit diesem Gerät mitgeliefert wurde.
- Das Gerät muss man ausschließlich an die Steckdose mit solch einer Spannung und Frequenz anschließen, wie auf dem Typenschild angegeben wird.
- Stecken Sie den Stecker in die Steckdose, die an einem leicht und bequem zugänglichen Ort angeordnet ist, und zwar so, dass das Gerät bei einer Störung sofort abgeschaltet werden kann. Um das Gerät vollständig auszuschalten, muss man es von der Stromquelle trennen. Zu diesem Zweck muss man den Stecker, der sich am Ende der vom Gerät getrennten Leitung befindet, aus der Netzsteckdose ziehen.
- Vor dem Abtrennen des Steckers ist das Gerät auszuschalten!
- Benutzen Sie kein Zubehör, das nicht vom Hersteller empfohlen wird. Die Anwendung vom nicht empfohlenen Zubehör stellt eine Gefahr für den Nutzer dar und kann zur Beschädigung des Gerätes führen. Benutzen Sie ausschließlich Ersatzteile und Zubehör im Original.
- Dieses Gerät eignet sich nicht für den Gebrauch durch Personen (gilt auch für Kinder) mit geringerer Motorik, Sensorik oder geistiger Fähigkeit oder mangelhafter Erfahrung und Wissen.
- Auf keinen Fall darf das Bedienen des Gerätes durch Kinder zugelassen werden.
- Das Gerät mit Stromversorgungsleitung ist außerhalb der Reichweite von Kindern zu lagern.
- Ebenso muss dafür gesorgt werden, dass die Kinder das Gerät nicht zum Spielen benutzen.
- Das Gerät ist immer dann von der Stromversorgung zu trennen, wenn es ohne Aufsicht bleiben soll bzw. auch vor der Montage, Demontage und Reinigung.
- Während der Nutzung darf das Gerät nicht ohne Aufsicht gelassen werden.

DE

Besondere Sicherheitsvorschriften

- Verwenden Sie das Gerät entsprechend den in der Anleitung enthaltenen Hinweisen.
- Das Gerät sollte ausschließlich durch ein qualifiziertes Küchenpersonal montiert und bedient werden, z.B. in Catering-Firmen, Restaurants, Bars, usw.
- Sämtliche Wartungs- und Montagearbeiten sowie die Reparatur des Geräts sollten durch qualifizierte, berechnigte Techniker durchgeführt werden.
-  **Achtung! Heiße Fläche! Verbrennungsgefahr!** Berühren Sie das Gerät nicht während seines Betriebs - die Temperatur der Oberflächen kann sehr heiß sein.
- Stellen Sie das Gerät nicht auf einen wärmemittehenden Gegenstand (Gasherd, Elektroherd, Grill, usw.). Lagern Sie es weit entfernt von heißen Flächen oder offenem Feuer. Stellen Sie das Gerät auf eine ebene, stabile, saubere und trockene Fläche auf, die auch gegen die Einwirkung hoher Temperaturen beständig ist.
- Verwenden Sie das Gerät nicht in der Nähe von explosiven oder leichtbrennbaren Materialien, Geldkarten, Magnetdisketten oder Radiogeräten.
- Legen Sie keine schweren Gegenstände auf das Gerät.



- Decken Sie niemals das Gerät und seine Belüftungsöffnungen mit anderen Gegenständen (z.B. mit einem Geschirrtuch) ab.
- **Achtung!** Führen und sichern Sie entsprechend das Stromkabel, um ein unbeabsichtigtes Ziehen oder Berühren der Kochplatte zu vermeiden.
- Waschen Sie das Gerät nicht mit einem starken Wasserstrahl. Beim Waschen des Geräts kann Wasser in den elektrischen Teil gelangen und so zu einem Stromschlag führen. Die Teile des Geräts dürfen in der Spülmaschine nicht gereinigt werden.
- Reinigen und stellen Sie das Gerät nicht am Lagerort ab, bis es nicht völlig abgekühlt ist.
- Seien Sie besonders vorsichtig, indem Sie das Gerät verlegen. Es ist sehr schwer. Das Gerät sollte von 2 Personen oder mittels eines Rollwagens verlegt werden.

Verwendungszweck des Gerätes

- Das Gerät ist für den professionellen Einsatz geeignet.
- Dieses Gerät ist nur zum Trocknen von geeigneten Lebensmitteln wie Gemüse, Obst usw. bestimmt. Die Verwendung des Gerätes für andere Zwecke kann zu seiner Beschädigung sowie zu

Körperverletzungen führen.

- Jede andere Verwendung des Gerätes gilt als nicht bestimmungsgemäß. Der Benutzer ist allein verantwortlich für die unsachgemäße Nutzung des Gerätes.

Montage der Erdung

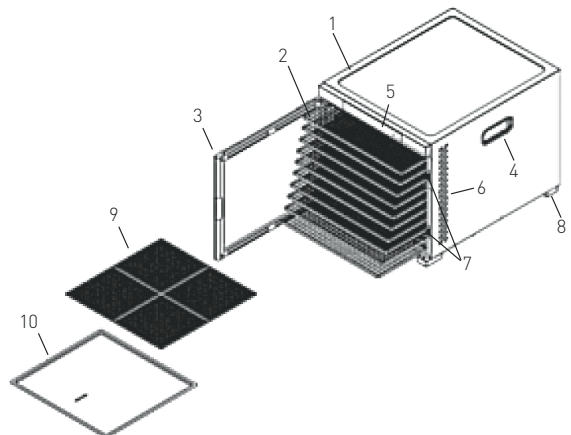
Der Induktionskocher ist ein Gerät der I. Schutzklasse und erfordert eine Erdung. Die Erdung verringert das Risiko eines elektrischen Stromschlags, da über einen Leiter der elektrische

Strom abgeleitet wird. Das Gerät ist mit einem Schutzleiter mit Schutzkontaktstecker ausgerüstet. Der Stecker ist an eine Netzsteckdose anzuschließen, die richtig montiert und geerdet wurde.

DE

Hauptteile des Geräts

- 1) Metallgehäuse
- 2) Edelstahlinschüben
(x 10 für Bestellnummer 229026;
x 6 für Bestellnummer 229033)
- 3) Tür
- 4) Henkel (x2)
- 5) Steuerpanel
- 6) Lüftungsöffnungen
- 7) Magnetteisten (x2)
- 8) Füße (x4)
- 9) Gittereinlage (x1)
- 10) Tablett (x1)

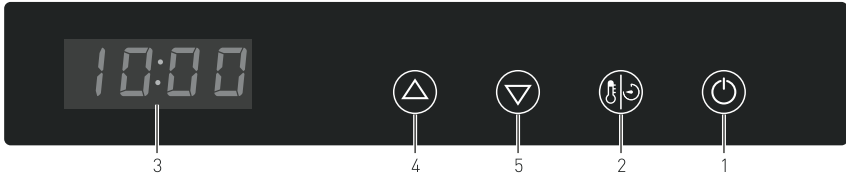


Berühren Sie das Bedienfeld des Gerätes

Bestellnummer: 229026



Bestellnummer: 229033



1) EIN-/AUS-Schalter

2) Temperatur-/Zeittaste (TEMP/TIME)

3) LED-Display

4) Erhöhung der Werte: Temperatur/ Zeit (TEMP/TIME)

5) Verringerung der Werte: Temperatur / Zeit (TEMP/TIME)

Vor erstem Gebrauch:

- Überprüfen Sie es, ob das Gerät nicht beschädigt ist. Wenn irgendwelche Beschädigungen festgestellt werden, muss man sich sofort mit dem Lieferanten in Verbindung setzen und das Gerät darf NICHT in Betrieb genommen werden.
- Das Gerät vorsichtig auspacken, die Verpackung und Sicherungen abnehmen und entfernen. Vergewissern Sie sich, dass es auf dem Gerät keine Verpackungsreste mehr gibt.
- Überprüfen Sie, ob die Lieferung vollständig ist (10 Edelstahlanschüben für Bestellnummer 229026; 6 Edelstahlanschüben für Bestellnummer 229033, Gittereinlage, Tablett) und ihre Elemente beim Transport nicht beschädigt wurden. Wenn irgendwelche Beschädigungen oder Mängel festgestellt werden, die während des Transports entstanden sind, muss man sich sofort mit dem Lieferanten in Verbindung setzen.

- Reinigen Sie das Gehäuse, die Edelstahlanschüben und das Tablett mit einem feuchten, weichen Tuch mit einem milden Reinigungsmittel. (Siehe ==> Reinigung und Wartung) Vor der Verwendung des Gerätes muss man sich vergewissern, dass alle Teile völlig trocken sind.
- Stellen Sie das Gerät auf eine horizontale, stabile, saubere und unbrennbare Fläche.
- Lassen Sie um das Dörrgerät 15 cm Abstand zur ausreichenden Belüftung im Gerät.
- Stellen Sie das Gerät so auf, dass der Stecker jederzeit abgezogen werden kann.
- Legen Sie das Tablett für kleine getrocknete Rückstände auf den Boden des Gerätes.
- Für kleine Lebensmittelmengen, eine Maschenweite zum Rastergitter hinzugeben.

Hinweis: Schalten Sie das Gerät für 30 Minuten nach der Reinigung ein (siehe ==> Bedienung) und stellen Sie die Temperatur von 75°C ein. Bei den ersten einigen Einschaltvorgängen kann sich noch so ein spezieller Geruch oder Rauch entwickeln. Das ist aber eine normale Erscheinung und bedeutet weder eine Beschädigung des Gerätes noch eine Gefährdung für den Nutzer. Prüfen Sie, ob das Gerät gut belüftet wird.

Hinweise zur Nahrungszubereitung

- Waschen Sie gut die Lebensmittel vor ihrem Einlegen ins Dörrgerät zwecks einer sicheren und hygienischen Nahrungszubereitung.
- Bringen Sie keine verdorbenen Lebensmittel ins Gerät ein. Die angefaulten Teile sind zu entfernen.
- Ein gleichmäßigeres Trocknen wird dann erzielt, wenn Obst oder Gemüse in mehr oder weniger gleiche Stücke geschnitten werden.
- Je kleiner oder dünner die Stücke von Obst und Gemüse sind, desto kürzer ist die Trocknungszeit.
- Die Nahrung im Gerät unterliegt einem ständigen Trocknungsprozess. Unterbrechen Sie nie die gestartete Trocknung.

Entsprechende Trocknungszeit und Hinweise zu Obst und Gemüse

Die Trocknungszeit hängt in großem Maße von der Art des Trockengutes ab, und zwar vom Wassergehalt, von der Reife und Dicke von Obst und

Gemüse, Temperatureinstellungen sowie von der Feuchtigkeit innerhalb der Kammer.

Zubereitung des Trockengutes

- Lassen Sie die getrocknete Nahrung abkühlen. Vergewissern Sie sich, dass sie völlig trocken ist. Die obigen Faktoren sind für die richtige Nahrungsaufbewahrung relevant.
- Das getrocknete Obst oder Gemüse kann keine Feuchtigkeit absorbieren, weil es verfaulen kann. Daher sollten alle Dosen sowie die Glas- oder Plastikbehälter luftdicht verschlossen werden. In einem solchen Fall empfiehlt man die Vakuumverpackung.
- Das Trockengut sollte in einem trockenen, kühlen und sauberen Raum aufbewahrt werden, um eine lange Lagerzeit zu gewährleisten.

Bedienung

- Stellen Sie das Gerät auf eine horizontale, stabile, rutschfeste und unbrennbare Fläche.
- Das Trockengut ist auf dem Einschub gleichmäßig zu verteilen. Vergewissern Sie sich, dass die Produktstücke nicht aufeinanderliegen. Um eine ausreichende Belüftung des Geräts zu gewährleisten, belassen Sie 10% der freien Oberfläche der Einschübe.
- Die leeren Einschübe sind vom Dörrgerät zu entfernen. Im Gerät können sich insgesamt 10 Einschübe befinden.
- Legen Sie die Einschübe ins Dörrgerät ein und vergewissern Sie sich, dass sie richtig in Bezug auf die Seitenwände angebracht werden. Schließen Sie die Tür fest.
- Schließen Sie den Stecker an die entsprechende Elektrosteckdose an - das Gerät befindet sich im STANDBY-Modus. Das Gerät emittiert einen Signalton; der Schalter (ON/OFF) leuchtet blau auf, und auf dem LED-Display wird "0000" in Weiß Farbe angezeigt.
- Drücken Sie den Schalter (ON/OFF), um den Betrieb zu starten - auf dem Display erscheint der voreingestellte Zeitwert „10:00“ (10 Stunden). Alle Tasten im Steuerpanel werden blau beleuchtet.

Zeiteinstellung:

- Mit den Tasten „+“ oder „-“ kann man die Trocknungszeit entweder verlängern oder verkürzen. (Bereich von 00:30 bis 24:00, in halbstündigen Intervallen).
- Der eingestellte Zeitwert wird nach Ablauf einiger Sekunden automatisch gespeichert.
- Das Gerät wird in Betrieb genommen - die verbleibende Trocknungszeit erscheint auf dem LED-Display. Der sich im Gerät hinten befindende Lüfter wird auch gestartet.



Temperatureinstellung:

- Drücken Sie die Taste TEMP/TIME einmal, um die aktuelle Temperatureinstellung zu prüfen. Um die eingestellte Temperatur zu erhöhen oder zu verringern, drücken Sie die Tasten „+“ oder „-“. [Die voreingestellte Temperatur: 70°C, Bereich: von 35°C bis 75°C, einstellbar in 5°C-Schritten].
- Der eingestellte Temperaturwert wird nach Ablauf einiger Sekunden automatisch gespeichert. Auf dem LED-Display wird erneut die verbleibende Trocknungszeit angezeigt.
- Um den Wert der eingestellten Temperatur zu prüfen, drücken Sie einmalig die Taste TEMP/TIME - die eingestellte Temperatur erscheint auf dem LED-Display.
- Sie können die Zeit- oder Temperatureinstellungen während des Betriebs des Geräts ändern, indem Sie die Taste TEMP/TIME drücken. Mit den Tasten „+“ oder „-“ kann man die Trocknungszeit entweder verlängern oder verkürzen und die Temperatureinstellung entweder erhöhen oder verringern.

Übergehen in den STANDBY-Modus

- Drücken Sie den Schalter (ON/OFF), um das Gerät in den STANDBY-Modus umzuschalten. Alle Tasten erlöschen, ausgenommen dem Schalter (ON/OFF). Auf dem LED-Display wird " 0000 " in Weiß Farbe angezeigt.

Countdown der verbleibenden Zeit

- Wenn die Zeit den Wert 00:00 erreicht, schalten sich zuerst die Heizelemente aus. Der Lüfter schaltet sich nach Ablauf von ca. 10 Sekunden aus und er emittiert einen Signalton, der 20-mal wiederholt wird. Die Trocknung wird beendet.
- Auf dem LED-Display wird die Information „END“ angezeigt und das Gerät übergeht in den STANDBY-Modus.
- Ziehen Sie den Stecker aus der Steckdose; falls notwendig, verwenden Sie die Handschuhe (nicht mitgeliefert) beim Herausnehmen der Nahrung aus dem Gerät.

DE

Reinigung und Wartung

Hinweis: Vor dem Reinigen des Geräts, ist es immer von der Steckdose zu trennen und dazu muss man abwarten, bis es abgekühlt ist.

Reinigung

- Reinigen Sie die inneren und äußeren Elemente des Geräts, die Einschübe, das Tablett und die Tür mit einem mit Warmwasser befeuchten, weichen Tuch und mit einem milden Reinigungsmittel. Reinigen Sie nicht den Lüfter.
- Trocknen Sie alle Elemente des Dörrgeräts mit einem trockenen Tuch, bevor Sie es lagern.
- Reinigen Sie auch den Lüfter ab und zu mit einem Staubsauger.
- Achtung! Verwenden Sie keine ätzenden Reinigungslösungen oder scheuernden Mittel, weil sie die Oberfläche des Dörrgeräts beschädigen können.

Lagerung

- Bevor das Gerät am Lagerort abgestellt wird, muss man sich sicherstellen, dass das Gerät vom Strom getrennt wurde und völlig abgekühlt ist.
- Lagern Sie das Gerät an einem kühlen, sauberen Ort außerhalb der Reichweite von Kindern.



Fehlerbeseitigung

Wenn das Gerät nicht richtig funktioniert, muss man sich zum Finden der richtigen Lösung mit der nachfolgenden Tabelle vertraut machen. Wenn Sie das Problem nicht lösen können, dann setzen Sie sich bitte mit dem Lieferanten in Verbindung.

Problem	Mögliche Ursache	Lösung
Ein-/Ausshalter leuchtet nicht rot.	Fehlende Versorgung.	Überprüfen Sie, ob der Stecker an die Steckdose richtig angeschlossen ist.
	Der Schalter ist defekt.	Setzen Sie sich mit dem Lieferanten in Verbindung.
Die Kammer erwärmt sich nicht.	Heizelement, Thermostat oder Lüfter ist defekt.	Setzen Sie sich mit dem Lieferanten in Verbindung.
Die Kammer überhitzt sich.	Heizelement oder Thermostat ist defekt.	Setzen Sie sich mit dem Lieferanten in Verbindung.
Die Trocknung dauert zu lange.	Zu feuchte Umgebung.	Stellen Sie das Gerät in einer weniger feuchten Umgebung.
	Heizelement, Thermostat oder Lüfter ist defekt.	Setzen Sie sich mit dem Lieferanten in Verbindung.

Technische Spezifikation

Bestellnummer	229026	229033
Betriebsspannung und Frequenz	220- 240V~ 50-60Hz	
Nennleistungsaufnahme	900 - 1100W	550 - 650W
Temperatureinstellung	35°C ~ 75°C	
Trocknungszeit	Von 30 Minuten bis zu 24 Stunden	
Schutzklasse	Klasse I	
Nummer der Regale	10	6
Abmessungen	417x535x(H)430 mm	340x450x(H)311 mm

DE

Hinweis: Die technische Spezifikation kann ohne Vorankündigung verändert werden.

Garantie

Alle innerhalb von einem Jahr nach dem Kaufdatum festgestellten Defekte oder Mängel, die die Funktionalität des Gerätes beeinträchtigen, werden auf dem Wege der unentgeltlichen Reparatur bzw. des Austausches unter der Voraussetzung beseitigt, dass das Gerät in einer der Bedienungsanleitung gemäßen Art und Weise betrieben und gewartet wird und weder vorsätzlich vernichtet noch nicht bestimmungsgemäß genutzt wurde. Ihre Rechte aus den entsprechenden Gesetzen

bleiben davon unberührt. Eine in der Garantiefrist einzureichende Beanstandung hat die Angabe des Kaufortes und Kaufdatums und in der Anlage einen Kaufbeleg (z.B. Kassenzettel) zu enthalten.

Gemäß unserer Politik der ständigen Weiterentwicklung unserer Produkte behalten wir uns vor, Änderungen am Produkt, an seiner Verpackung und an den dokumentierten technischen Daten ohne vorherige Ankündigung vorzunehmen.



Entsorgung und Umweltschutz

Wird das Gerät außer Betrieb genommen, darf es nicht über den Hausmüll entsorgt werden. Der Benutzer ist für die Übergabe des Gerätes an eine geeignete Sammelstelle für Altgeräte verantwortlich. Die Nichteinhaltung dieser Regel kann gemäß den geltenden Vorschriften über die Abfallentsorgung bestraft werden. Die getrennte Sammlung und das Recycling der Altgeräte trägt zur Schonung der natürlichen Ressourcen bei und sorgt

für eine umwelt- und gesundheitsschonende Verwertungsweise. Weitere Informationen darüber, wo Sie Ihre Altgeräte entsorgen können, erhalten Sie bei Ihrem örtlichen Entsorgungsunternehmen. Der Hersteller und der Importeur übernehmen keine Verantwortung für das Recycling sowie die umweltfreundliche Verwertung von Abfällen, weder direkt noch über ein öffentliches System.

Geachte klant,

Hartelijk dank voor de aankoop van dit Hendi apparaat. Leest u deze gebruiksaanwijzing zorgvuldig voordat u het apparaat gebruikt, dit om schade door verkeerd gebruik te voorkomen. Lees vooral de veiligheidsinstructies aandachtig door.

Veiligheidsinstructies

- Onjuiste bediening en verkeerd gebruik van het apparaat kan ernstige schade aan het apparaat en verwonding van personen tot gevolg hebben.
- Dit apparaat is enkel bedoeld voor commercieel gebruik.
- Het apparaat mag alleen worden gebruikt voor het doel waarvoor het werd ontworpen. De fabrikant aanvaardt geen enkele aansprakelijkheid voor schade als gevolg van onjuiste bediening en verkeerd gebruik.
- Zorg dat het apparaat en de stekker niet met water of een andere vloeistof in aanraking komen. Mocht het apparaat onverhoopt in het water vallen, trek dan onmiddellijk de stekker uit het stopcontact en laat het apparaat controleren door een erkend vakman. Niet-naleving hiervan kan levensgevaar opleveren.
- Probeer nooit zelf de behuizing van het apparaat te openen.
- Steek geen voorwerpen in de behuizing van het apparaat.
- Raak de stekker niet met natte of vochtige handen aan.
- ⚠ **Gevaar van elektrische schokken!** Probeer het apparaat niet zelf te repareren. In het geval van storingen, laat reparaties alleen uitvoeren door gekwalificeerd personeel.
- **Gebruik nooit een beschadigd apparaat!** Als het apparaat is beschadigd, haal de stekker dan uit het stopcontact en neem contact op met de winkel.
- **Waarschuwing!** Dompel de elektrische onderdelen van het apparaat niet onder in water of andere vloeistoffen. Houd het apparaat nooit onder stromend water.
- Controleer de stekker en het netsnoer regelmatig op schade. Als de stekker of het netsnoer is beschadigd, moet het worden vervangen door de technische dienst of een soortgelijk gekwalificeerd persoon om gevaar of letsel te voorkomen.
- Zorg ervoor dat het netsnoer niet in contact komt met scherpe of hete voorwerpen en houd het uit de buurt van open vuur. Als u de stekker uit het stopcontact wilt halen, trek dan altijd aan de stekker en niet aan het netsnoer.
- Zorg ervoor dat niemand per ongeluk aan het netsnoer (of verlengsnoer) kan trekken of kan struikelen over het netsnoer.
- Houd het apparaat in de gaten tijdens gebruik.
- **Waarschuwing!** Zolang de stekker in het stopcontact zit, is het apparaat aangesloten op de voedingsbron.
- Schakel het apparaat uit voordat u de stekker uit het stopcontact trekt.
- Draag het apparaat nooit aan het netsnoer.
- Gebruik geen extra hulpmiddelen die niet worden meegeleverd met het apparaat.
- Sluit het apparaat alleen aan op een stopcontact met de spanning en frequentie die is vermeld op het typeplaatje.

NL



- Sluit de stekker aan op een stopcontact dat eenvoudig bereikt kan worden, zodat de stekker in geval van nood onmiddellijk uit het stopcontact kan worden getrokken. Trek de stekker volledig uit het stopcontact om het apparaat volledig uit te schakelen. Gebruik de stekker om het apparaat los te koppelen van het lichtnet.
- Schakel het apparaat altijd uit voordat u de stekker uit het stopcontact trekt.
- Gebruik nooit accessoires die niet worden aanbevolen door de fabrikant. Zij kunnen mogelijk een veiligheidsrisico vormen voor de gebruiker en kunnen het apparaat mogelijk beschadigen. Gebruik alleen originele onderdelen en accessoires.
- Dit apparaat is niet geschikt voor gebruik door personen (inclusief kinderen) met een verminderd fysiek, sensorisch of geestelijk vermogen, of gebrek aan ervaring en kennis.
- Dit apparaat mag onder geen enkele omstandigheid worden gebruikt door kinderen.
- Houd het apparaat en het netsnoer buiten bereik van kinderen.
- Kinderen mogen niet met het apparaat spelen.
- Koppel het apparaat altijd los van het lichtnet als het onbeheerd wordt achtergelaten en voordat het apparaat wordt gemonteerd, gedemonteerd of gereinigd.
- Laat het apparaat nooit onbeheerd achter tijdens gebruik.

Speciale voorzorgsmaatregelen

- Gebruik het apparaat zoals beschreven in de handleiding.
- Dit apparaat moet worden gebruikt en geïnstalleerd door gespecialiseerd en getraind personeel in keukens van cateringbedrijven, restaurants, bars, etc.
- Alle onderhouds-, installatie- en reparatiewerkzaamheden moeten worden uitgevoerd door gespecialiseerde en getrainde technici.
-  **Let op! Heet oppervlak. Gevaar voor brandwonden!** Raak het apparaat tijdens gebruik niet aan, omdat de temperatuur van de bereikbare oppervlakken erg hoog kan zijn.
- Plaats het apparaat niet op een warmtebron (kooktoestel op benzine, elektriciteit, kolen, etc.) Houd het apparaat uit de buurt van hete oppervlakken en open vuur. Gebruik het apparaat altijd op een vlakke, stabiele, schone, hittebestendige en droge ondergrond.
- Gebruik het apparaat niet in de buurt van explosieve of brandbare materialen, credit cards, magnetische schijven of radio's.
- Plaats geen zware voorwerpen op het apparaat.
- Bedek het apparaat of de ventilatieopeningen nooit met andere voorwerpen. (bijv. vaatdoek).
- **Let op!** Plaats het netsnoer indien nodig op een veilige manier om te voorkomen dat het netsnoer in contact kan komen met het verwarmingsoppervlak en dat er per ongeluk aan het netsnoer kan worden getrokken.
- Was het apparaat niet met water of een waterstraal. Wassen met water kan lekkage veroorzaken en het risico op elektrische schokken verhogen. Geen van de onderdelen zijn vaatwasmachinebestendig.
- Reinig of berg het apparaat niet op tenzij het volledig is afgekoeld.

- Er is speciale aandacht vereist als u het apparaat wilt verplaatsen of transporteren, omdat het apparaat zeer zwaar is. Verplaats met minimaal 2 personen of gebruik een karretje om te helpen bij het verplaatsen.

Beoogd gebruik

- Het apparaat is bestemd voor professioneel gebruik.
- Dit apparaat is uitsluitend bestemd voor het drogen van geschikt voedsel, zoals groenten, fruit, etc. Elk ander gebruik kan leiden tot schade aan het apparaat of lichamelijk letsel.
- Gebruik van het apparaat voor andere doeleinden wordt beschouwd als verkeerd gebruik van het apparaat. De gebruiker is volledig aansprakelijk voor alle risico's die voortvloeien uit verkeerd gebruik van het apparaat.

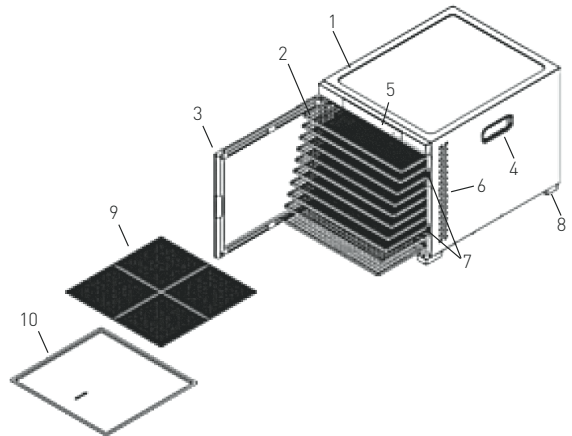
Installatie met aarding

Dit apparaat is geclassificeerd als beschermingsklasse I en moet worden aangesloten op een aansluiting met aarde. Aarding verlaagt de kans op elektrische schokken doordat elektrische stroom via een ontsnapingsdraad kan weglopen. Dit ap-

paraat is uitgerust met een snoer met een aarde-draad en een geaarde stekker. De stekker moet in een stopcontact worden gestoken dat juist is geïnstalleerd en geaard.

Belangrijkste onderdelen van het apparaat

- 1) Metalen behuizing
- 2) Roestvast stalen roosters
(x 10 voor itemnr 229026;
x 6 voor itemnr 229033)
- 3) Deur
- 4) Handgreep (x2)
- 5) Bedieningspaneel
- 6) Ventilatieopeningen
- 7) Magnetische balk (x2)
- 8) Voet (x4)
- 9) Gaas (x1)
- 10) Opvangbak (x1)



NL

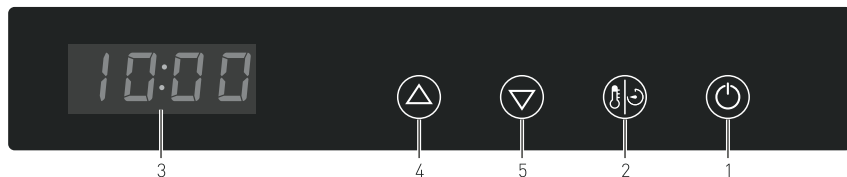


Bedieningspaneel van het apparaat

Itemnr: 229026



Itemnr: 229033



- 1) AAN/UIT-knop
- 2) TEMP/TIJD-knop
- 3) LED-display

- 4) Verhoog instelling (TEMP / TIJD)
- 5) Verlaag instelling (TEMP / TIJD)

Vorbereidingen op het eerste gebruik

- Controleer of het apparaat niet is beschadigd. In geval van schade, neem onmiddellijk contact op met uw leverancier en gebruik het apparaat NIET.
- Pak het apparaat voorzichtig uit en verwijder al het verpakkingsmateriaal. Zorg ervoor dat er geen vuil van de verpakking achterblijft op het apparaat.
- Controleer er geen onderdelen ontbreken (10 roestvast stalen roosters voor itemnr 229026; 6 roestvast stalen roosters voor itemnr 229033, gaas, opvangbak) en controleer op eventuele transportschade. Neem in het geval van ontbrekende onderdelen of transportschade onmiddellijk contact op met uw leverancier.
- Reinig de behuizing, roestvast stalen roosters, opvangbak en deur met een zacht, vochtige doek

en een mild reinigingsmiddel. (Zie ==> Reiniging en onderhoud). Zorg ervoor dat alle onderdelen van het apparaat volledig droog zijn alvorens het apparaat te gebruiken.

- Plaats het apparaat op een horizontaal, stabiel, schoon en vuurvast oppervlak.
- Houd een afstand van 15 cm vrij rond het apparaat voor voldoende ventilatie.
- Plaats het apparaat zodanig dat de stekker te allen tijde bereikbaar is.
- Plaats een opvangbak aan de onderkant om eventuele voedselresten op te vangen tijdens gebruik.
- Voeg een gaas toe aan het roestvrijstalen rooster voor kleine levensmiddelen.

Opmerking: Nadat het apparaat is gereinigd, moet het 30 minuten worden ingeschakeld (Zie ==> Bediening) met de temperatuur ingesteld op 75°C. Er kan de eerste paar keer dat het apparaat wordt gebruikt wat geur en rook vrijkomen, dit is normaal en duidt niet op een defect of gevaar. Zorg ervoor dat het apparaat goed wordt geventileerd.

Richtlijnen voorbereiden voedsel

- Was al het voedsel goed voordat u het droogt, zodat het veilig en hygiënisch kan worden bewaard.
- Verwerk alleen niet-bedorven voedsel, eventuele vlekken moeten royaal worden verwijderd.
- De droogresultaten zijn gelijkmatiger als het voedsel in stukken van ongeveer dezelfde grootte wordt gesneden.
- Snijd het voedsel in dunnere plakken of stukken om de droogtijd te reduceren.
- Het voorbereide voedsel moet in een continu proces worden gedroogd. Onderbreek het droogproces niet.

Geschatte droogtijd en richtlijnen bereiding specifiek voedsel

De tijd die benodigd is voor het drogen voedsel is sterk afhankelijk van het soort voedsel, het vocht-

gehalte, de rijpheid, de dikte, de temperatuurinstelling en de vochtigheid in de binnenkamer.

Opslag van gedroogd voedsel

- Laat gedroogd voedsel goed afkoelen alvorens het op te slaan. Zorg er ook voor dat het voedsel volledig droog is. Dit is essentieel voor goede opslag.
- Om bederf te voorkomen, moet voorkomen worden dat gedroogd voedsel tijdens opslag vocht kan opnemen. Daarom moeten alle bewaarblikken, -potten of plastic zakken luchtdicht worden afgesloten. Vacuüm verpakken is de meest geschikte methode voor de opslag van gedroogd voedsel.
- Gedroogd voedsel moet in een droge, koele en schone omgeving worden opgeslagen om opslag voor lange tijd te garanderen.

Bediening

- Plaats het apparaat op een horizontaal, stabiel en hittebestendig oppervlak dat niet glad is.
- Plaats het voedsel gelijkmatig op de roosters en zorg ervoor dat de stukken voedsel elkaar niet bedekken. Zorg ervoor dat minimaal 10% van het oppervlak vrij is van voedsel, zodat er in het apparaat zelf voldoende ventilatie is.
- Verwijder de roosters die niet zijn gevuld. Er zijn in totaal tien roosters die tegelijkertijd kunnen worden gebruikt.
- Let er bij het plaatsen van de roosters op dat de roosters goed zijn uitgelijnd met de zijwand. Doe daarna de deur stevig dicht.
- Steek dan de stekker in een geschikt stopcontact, het apparaat staat nu in de STANDBY-modus. Er klinkt een pieptoon, de AAN/UIT-knop licht blauw op en het display toont in het wit de melding "0000".
- Druk op de AAN/UIT-knop om het gebruik te starten, het display toont de standaardtijd "10:00" (10 uur). Alle knoppen op het bedieningspaneel zijn blauw opgelicht.

Instellen tijd:

- U kunt nu op + of – drukken om de bedrijfstijd te verhogen of verlagen. (Bereik: 00:30 – 24:00, stappen van 30 minuten).
- De ingestelde tijd wordt automatisch binnen enkele seconden opgeslagen.
- Daarna zal het apparaat beginnen met werken en zal de resterende tijd worden getoond op het display. De ventilator aan de zijkant van het apparaat begint te draaien.



Instellen temperatuur:

- Druk één keer op de TEMP / TIJD-knop om de temperatuurinstelling te controleren, u kunt ook op + of – drukken om de instelling van de bedrijfstemperatuur te verhogen of verlagen. (standaardtemperatuur: 70°C, bereik: 35°C ~ 75°C, stappen van 5°C).
- De ingestelde temperatuur wordt automatisch binnen enkele seconden opgeslagen, het display toont daarna weer de resterende tijd.
- Als u de ingestelde temperatuur wilt bekijken, druk dan één keer op de TEMP/TIJD-knop om de temperatuur weer te geven op het display.
- Tijdens gebruik, kunt u ook de instelling van de tijd en temperatuur bekijken of veranderen door op TEMP/TIJD te drukken. U kunt daarna op + of – drukken om de ingestelde temperatuur of tijd te verhogen of verlagen.

Overschakelen naar STANDBY-modus

- Druk op de AAN/UIT-knop om over te schakelen naar de STANDBY-modus. Alle knoppen, behalve de AAN/UIT-knop, gaan uit. En het display toont in het wit de melding " 0000 ".

Verstrijken van de ingestelde tijd

- Als de ingestelde tijd is verstreken en er is afgeteld tot 00:00, stoppen de verwarmingselementen eerst met werken. De koelventilator blijft nog ongeveer 10 seconden werken en er klinken nog 20 pieptonen van de zoemer om de gebruiker eraan te herinneren dat het bewerkingsproces is voltooid.
- De melding 'End' wordt getoond op het display en het apparaat staat in de STANDBY-modus.
- Trek de stekker uit het stopcontact en draag, indien nodig, handschoenen (niet meegeleverd) om het voedsel uit het apparaat te halen.

NL

Reiniging en onderhoud

Attentie: Trek de stekker altijd uit het stopcontact en laat het apparaat volledig afkoelen alvorens reinigingshandelingen uit te voeren.

Reiniging

- Reinig de buiten- en binnenzijde van het apparaat, de roosters, de opvangbak en de deur met lauw water, een mild afwasmiddel en een zachte doek. Reinig het ventilatorgedeelte niet.
- Droog alle onderdelen met een droge doek alvorens het apparaat op te bergen.
- Reinig regelmatig de ventilator met een stofzuiger.
- Let op! Gebruik nooit agressieve, bijtende of schurende reinigingsmiddelen – deze kunnen het apparaat beschadigen.

Opslag

- Controleer voordat u het apparaat opbergt altijd of het apparaat is afgekoeld en of het is losgekoppeld van het lichtnet.
- Het apparaat moet worden opgeslagen op een schone, koele en droge plek buiten het bereik van kinderen.



Problemen oplossen

Als het apparaat niet naar behoren werkt, raadpleeg dan de onderstaande tabel voor een mogelijke oplossing. Als u het probleem niet zelf kunt oplossen, neem dan contact op met de leverancier/dienstverlener.

Probleem	Mogelijke oorzaak	Oplossing
Aan/uit-schakelaar licht niet rood op	Geen stroom	Controleer of de stekker in het stopcontact zit
	Schakelaar defect	Neem contact op met de leverancier
Kamer wordt niet warm	Verwarmingselement, ventilator of thermostaat is mogelijk defect	Neem contact op met de leverancier
Kamer wordt te warm	Verwarmingselement of thermostaat is mogelijk defect	Neem contact op met de leverancier
Drogen duurt te lang	Vochtige omgeving	Plaats het apparaat in een minder vochtige omgeving
	Verwarmingselement, ventilator of thermostaat is defect	Neem contact op met de leverancier

Technische specificaties

Itemnr.	229026	229033
Bedrijfsspanning en frequentie	220- 240V~ 50-60Hz	
Nominaal ingangsvermogen	900 - 1100W	550 - 650W
Bereik temperatuurinstelling	35°C ~ 75°C	
Bereik tijdstelling	30 minuten tot 24 uur	
Beschermingsklasse	Klasse I	
Aantal rekken	10	6
Afmetingen	417x535x(H)430 mm	340x450x(H)311 mm

NL

Opmerking: Technische specificaties onderhevig aan veranderingen zonder voorafgaande kennisgeving.

Garantie

Elk defect waardoor de werking van het apparaat nadelig wordt beïnvloed dat zich binnen één jaar na aankoop van het apparaat voordoet, wordt gratis hersteld door reparatie of vervanging, mits het apparaat conform de instructies is gebruikt en onderhouden en niet op enigerlei wijze verkeerd is behandeld of misbruikt. Dit laat onverlet uw bij wet bepaalde rechten. Als de garantie van kracht is, vermeld dan waar en wanneer u het apparaat

hebt gekocht en sluit een aankoopbewijs bij (bijv. kassabon of factuur).

Gezien ons streven naar voortdurende verdere productontwikkeling behouden wij ons het recht voor, zonder voorafgaande kennisgeving wijzigingen aan te brengen aan product, verpakking en documentatie.



Verwijdering & milieu

Bij de buitengebruikstelling van het apparaat, mag het niet met het overige huisafval worden verwijderd. In plaats daarvan is het uw verantwoordelijkheid om uw afgedankte apparatuur in te leveren bij een daartoe aangewezen inzamelpunt. Het niet opvolgen van deze regel kan worden bestraft in overeenstemming met de geldende voorschriften voor afvalverwerking. De gescheiden inzameling en recycling van uw afgedankte apparatuur ten tijde van buitengebruikstelling helpt bij de instand-

houding van natuurlijke hulpbronnen en waarborgt dat de apparatuur wordt gerecycled op een manier die de volksgezondheid en het milieu beschermt. Voor meer informatie over waar u uw afval kunt inleveren voor recycling kunt u contact opnemen met uw lokale afvalverwerkingsbedrijf. De fabrikant en importeurs nemen geen verantwoordelijkheid voor de recycling, behandeling en ecologische verwijdering, hetzij rechtstreeks of via een openbaar systeem.

Szanowny Kliencie,

Dziękujemy za zakup urządzenia firmy Hendi. Prosimy o uważne zapoznanie się z niniejszą instrukcją przed podłączeniem urządzenia, aby uniknąć uszkodzeń spowodowanych niewłaściwą obsługą. Należy zwrócić szczególną uwagę na zasady bezpieczeństwa.

Zasady bezpieczeństwa


- Nieprawidłowa obsługa i niewłaściwe użytkowanie mogą spowodować poważne uszkodzenie urządzenia lub zranienie osób.
- Niniejsze urządzenie przeznaczone jest wyłącznie do użytku komercyjnego.
- Urządzenie należy stosować wyłącznie zgodnie z przeznaczeniem. Producent nie ponosi żadnej odpowiedzialności za szkody spowodowane nieprawidłową obsługą i niewłaściwym użytkowaniem urządzenia.
- W czasie użytkowania zabezpiecz urządzenie i wtyczkę kabla zasilającego przed kontaktem z wodą lub innymi płynami. W mało prawdopodobnym przypadku zanurzenia urządzenia w wodzie, należy natychmiast wyciągnąć wtyczkę z kontaktu, a następnie zlecić kontrolę urządzenia specjalistom. Nieprzestrzeganie tej instrukcji może spowodować zagrożenie życia.
- Nigdy nie otwieraj samodzielnie obudowy urządzenia.
- Nie wtykaj żadnych przedmiotów w obudowę urządzenia.
- Nie dotykaj wtyczki kabla zasilającego wilgotnymi rękami.
- ⚠ **Niebezpieczeństwo porażenia prądem!** Nie należy samodzielnie naprawiać urządzenia. Wszelkie usterki i niesprawności winny być usuwane wyłącznie przez wykwalifikowany personel.
- **Nigdy nie używać uszkodzonego urządzenia!** Uszkodzone urządzenie należy odłączyć od sieci i skontaktować się ze sprzedawcą.
- **Ostrzeżenie:** Nie zanurzać części elektrycznych urządzenia w wodzie ani w innych płynach. Nie wkładać urządzenia pod bieżącą wodę.
- Regularnie sprawdzać wtyczkę i sznur zasilający pod kątem uszkodzeń. Uszkodzoną wtyczkę lub sznur przekazać w celu naprawy do punktu serwisowego lub innej wykwalifikowanej osoby, aby zapobiec ewentualnym zagrożeniom i obrażeniom ciała.
- Upewnić się, czy sznur zasilający nie styka się z ostrymi ani gorącymi przedmiotami; trzymać sznur z dala od otwartego płomienia. Aby wyjąć wtyczkę z gniazdka, zawsze ciągnąć za wtyczkę, a nie za sznur.
- Zabezpieczyć sznur zasilający (lub przedłużający) przez przypadkowym wyciągnięciem z kontaktu. Sznur prowadzić w sposób uniemożliwiający przypadkowe potknięcie.
- Stale nadzorować urządzenie podczas użytkowania.
- **Ostrzeżenie!** Jeżeli wtyczka jest włożona do gniazdka, urządzenie należy uważać za podłączone do zasilania.
- Przed wyjęciem wtyczki z gniazdka wyłączyć urządzenie!
- Nigdy nie przenosić urządzenia, trzymając za sznur.
- Nie używać żadnych akcesoriów, które nie zostały dostarczone wraz z urządzeniem.

PL



- Urządzenie należy podłączać wyłącznie do gniazdka o napięciu i częstotliwości podanych na tabliczce znamionowej.
- Włożyć wtyczkę do gniazdka zlokalizowanego w dogodnym łatwo dostępnym miejscu, tak by w przypadku awarii istniała możliwość natychmiastowego odłączenia urządzenia. W celu całkowitego wyłączenia urządzenia odłączyć je od źródła zasilania. W tym celu wyjąć z gniazdka wtyczkę znajdującą się na końcu sznura odłączanego urządzenia.
- Przed odłączeniem wtyczki zawsze pamiętać o wyłączeniu urządzenia!
- Nie korzystaj z akcesoriów niezalecanych przez producenta. Zastosowanie niezalecanych akcesoriów może stwarzać zagrożenie dla użytkownika oraz prowadzić do uszkodzenia urządzenia. Korzystaj wyłącznie z oryginalnych części i akcesoriów.
- Z urządzenia nie mogą korzystać osoby (także dzieci), u których stwierdzono osłabione zdolności fizyczne, sensoryczne lub umysłowe, albo którym brakuje odpowiedniej wiedzy i doświadczenia.
- W żadnym wypadku nie zezwalać na obsługę urządzenia przez dzieci.
- Urządzenie wraz ze sznurem przechowywać poza zasięgiem dzieci.
- Nie dopuścić, by dzieci wykorzystywały urządzenie do zabawy.
- Zawsze odłączyć urządzenie od zasilania, jeżeli ma być ono pozostawione bez nadzoru, a także przed montażem, demontażem i czyszczeniem.
- Nie zostawiać urządzenia bez nadzoru podczas użytkowania.

Szczególne przepisy bezpieczeństwa

- Korzystaj z urządzenia zgodnie ze wskazówkami zawartymi w instrukcji.
- Urządzenie powinno zostać zamontowane i być obsługiwane wyłącznie przez wykwalifikowany personel kuchenny w punktach gastronomicznych, np. świadczących usługi cateringowe, w restauracjach, barach, itp.
- Wszelkie czynności konserwacyjne i montażowe oraz naprawa urządzenia powinny zostać przeprowadzane przez wykwalifikowanych, upoważnionych techników.
-  **Uwaga! Gorąca powierzchnia! Niebezpieczeństwo poparzenia!** Nie dotykaj urządzenia podczas jego pracy - temperatura powierzchni dostępnych dla użytkownika może być bardzo wysoka.
- Nie umieszczaj urządzenia na obiekcie emitującym ciepło (kuchenka gazowa, elektryczna, grill, itp.). Trzymaj urządzenie z dala od jakichkolwiek gorących powierzchni lub otwartego płomienia. Ustaw urządzenie na równej, stabilnej, czystej i suchej powierzchni, odpornej na działanie wysokich temperatur.
- Nie używaj urządzenia w pobliżu materiałów wybuchowych lub łatwopalnych, kart płatniczych, dysków magnetycznych lub radioodbiorników.
- Nie kładź na urządzeniu ciężkich przedmiotów.
- Nigdy nie zakrywaj urządzenia ani jego otworów wentylacyjnych innymi przedmiotami (np. ściereczką do naczyń).
- **Uwaga!** Odpowiednio poprowadź i zabezpiecz przewód zasilający, aby zapobiec przypadkowemu pociągnięciu lub kontaktowi z płytą grzewczą.

- Nie myj urządzenia wodą lub za pomocą silnego strumienia. Mycie urządzenia wodą może spowodować przedostanie się jej do części elektrycznych i doprowadzić do porażenia prądem. Części urządzenia nie mogą być myte w zmywarce.
- Nie czyść ani nie umieszczaj urządzenia w miejscu przechowywania, zanim całkowicie nie ostygnie.
- Zachowaj szczególną ostrożność podczas przenoszenia urządzenia ze względu na jego ciężar. Urządzenie powinno być przenoszone przez 2 osoby lub przemieszczane za pomocą wózka.

PRZEZNACZENIE

- Urządzenie przeznaczone jest do zastosowania profesjonalnego.
- Niniejsze urządzenie jest przeznaczone tylko do suszenia odpowiednich produktów spożywczych, takich jak warzywa, owoce itp. Użycie urządzenia w jakimkolwiek innym celu może prowadzić do jego uszkodzenia lub do obrażeń ciała.
- Wykorzystanie urządzenia w jakimkolwiek innym celu uznane będzie za wykorzystanie niezgodne z przeznaczeniem. Użytkownik będzie wyłącznie odpowiedzialny za nieprawidłowe wykorzystanie urządzenia.

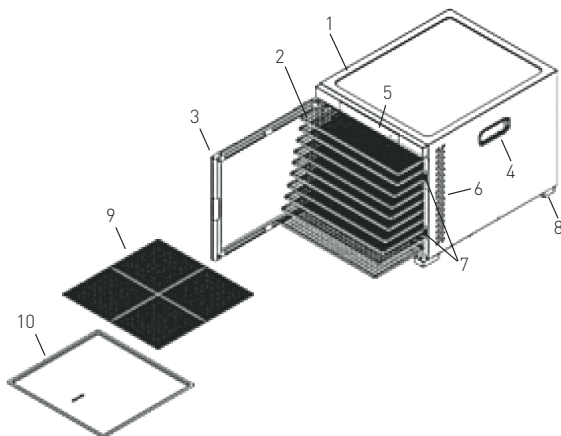
Montaż uziemienia

Kuchenka jest urządzeniem I klasy ochronności i wymaga uziemienia. Uziemienie zmniejsza ryzyko porażenia prądem, dzięki zastosowaniu przewodu odprowadzającego prąd elektryczny. Kuchenka wy-

posażona jest w przewód z uziemieniem z wtykiem uziemiającym. Wtyczka musi zostać podłączona do gniazdka sieciowego, które zostało odpowiednio zamontowane i uziemione.

Główne części urządzenia

- 1) Metalowa obudowa
- 2) Rusztów ze stali nierdzewnej
(x 10 dla pozycji numer 229026;
x 6 dla pozycji numer 229033)
- 3) Drzwiczki
- 4) Uchwyty (x2)
- 5) Panel sterowania
- 6) Otwory wentylacyjne
- 7) Listwy magnetyczne (x2)
- 8) Nóżki (x4)
- 9) Siatka (x1)
- 10) Tacka (x1)

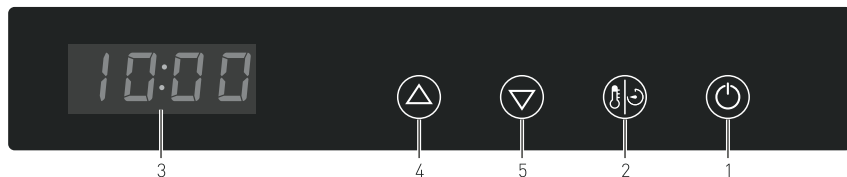


Panel sterowania urządzenia

Numer produktu: 229026



Numer produktu: 229033



1) Przetącznik (ON/OFF)

2) Przycisk temperatury/ustawienia czasu (TEMP/TIME)

3) Wyświetlacz LED

4) Zwiększenie wartości temperatury / czasu (TEMP/TIME)

5) Zmniejszenie wartości temperatury / czasu (TEMP/TIME)

Przed pierwszym użyciem:

- Sprawdź, czy urządzenie nie jest uszkodzone. W przypadku jakichkolwiek uszkodzeń niezwłocznie skontaktuj się z dostawcą i NIE uruchamiaj urządzenia.
- Ostrożnie rozpakuj urządzenie, zdejmij i usuń opakowanie i zabezpieczenia. Upewnij się, czy na urządzeniu nie pozostały fragmenty opakowania.
- Sprawdź, czy dostawa jest kompletna (10 rusztów ze stali nierdzewnej dla pozycji numer 229026; 6 rusztów ze stali nierdzewnej dla pozycji numer 229033, siatka, tacka) i czy jej elementy nie zostały uszkodzone podczas transportu. W przypadku stwierdzenia jakichkolwiek uszkodzeń spowodowanych transportem bądź braków, niezwłocznie skontaktuj się z dostawcą.

- Wyczyść odbudowę, półki oraz rusztów ze stali nierdzewnej za pomocą wilgotnej, miękkiej szmatki z łagodnym środkiem myjącym. (Patrz ==> Czyszczenie i konserwacja) Przed korzystaniem z urządzenia upewnij się, czy wszystkie jego części są całkowicie suche.
- Umieścić urządzenie na poziomym, stabilnym, czystym i ognioodpornym podłożu.
- Upewnij się, czy zachowany został 15 cm odstęp wokół suszarki w celu zachowania właściwej wentylacji urządzenia.
- Umieść urządzenie w takim miejscu, by stałe zapewniony był łatwy dostęp do wtyczki.
- Na dnie urządzenia umieść tackę na drobne fragmenty żywności pozostałe po suszeniu.
- Dodaj siatkę na kracie ze stali nierdzewnej, aby uzyskać mały rozmiar żywności.

Uwaga: Po wyczyszczeniu urządzenia należy je włączyć (Patrz ==> Obsługa) na ok. 30 minut i ustawić na temperaturę 75°C. Przy pierwszych kilku włączeniach z urządzenia może wydzielać się specyficzny zapach lub dym. Jest to zjawisko normalne i nie świadczy o uszkodzeniu urządzenia ani zagrożeniu dla użytkownika. Upewnij się, czy urządzenie

Wskazówki dotyczące przygotowania żywności

- W celu bezpiecznego i higienicznego przygotowania jedzenia, dokładnie umyj żywność przed umieszczeniem jej w suszarce.
- Nie umieszczaj w suszarce zepsutej żywności - nadgnięte elementy jedzenia należy usunąć.
- Suszenie jest bardziej równomierne, jeśli umieszczone w urządzeniu owoce lub warzywa zostaną pocięte na mniej więcej równe kawałki.
- Czas suszenia będzie tym krótszy, im mniejsze lub cieńsze będą kawałki warzyw lub owoców.
- Żywność w urządzeniu będzie poddawana ciągłemu procesowi suszenia. Nigdy nie przerywaj procesu suszenia uruchomionego przez urządzenie.

Odpowiedni czas suszenia i wskazówki dotyczące różnych warzyw i owoców

Czas suszenia w znacznym stopniu zależy od rodzaju suszonej żywności - zawartości wody, do-

jrzałości, grubości, ustawień temperatury i wilgotności wewnątrz komory.

Przechowywanie suszonej żywności

- Wysuszoną żywność pozostaw do ostygnięcia. Upewnij się też, czy jest ona zupełnie suche. Powyższe czynniki są kluczowe dla właściwego przechowywania żywności.
- Aby zapobiec zepsuciu żywności, podczas przechowywania suszone warzywa lub owoce nie mogą pochłaniać żadnej wilgoci. W związku z powyższym, wszelkie puszkę oraz szklane lub plastikowe pojemniki, w których przechowywana jest suszona żywność, muszą zostać szczelnie zamknięte. Najodpowiedniejsze w takim przypadku byłoby przechowywanie próżniowe.
- Suszona żywność powinna być przechowywana w suchym, chłodnym i czystym pomieszczeniu - takie warunki gwarantują długoterminowe przechowywanie suszonej żywności.

Obsługa

- Umieść urządzenie na poziomym, stabilnym, antypoślizgowym i ognioodpornym podłożu.
- Rozłóż żywność na tackach równomiernie, tak aby poszczególne jej fragmenty nie nachodziły na siebie. Aby zachować właściwą wentylację wewnątrz urządzenia, na 10% powierzchni półek nie powinno być żywności.
- Puste półki należy usunąć z suszarki. Jednocześnie w urządzeniu może znajdować się 10 półek.
- Wsuwając półki do suszarki upewnij się, czy zostały one umieszczone prawidłowo w stosunku do ścianek bocznych. Dokładnie zamknij drzwiczki.
- Następnie podłącz wtyczkę do odpowiedniego gniazdka elektrycznego - urządzenie znajduje się w trybie czuwania [STANDBY]. Rozlegnie się sygnał dźwiękowy; przełącznik (ON / OFF) zostanie podświetlony na niebiesko, a na wyświetlaczu LED ukaże się „0000” w kolorze biały.
- Wciśnij przełącznik (ON/OFF), aby zacząć pracę - na wyświetlaczu pojawi się domyślna wartość czasu „10:00” (10 godzin). Wszystkie przyciski na panelu sterowania zostaną podświetlone na niebiesko.

Ustawienie czasu:

- Za pomocą przycisków „+” lub „-” możesz wydłużyć lub skrócić czas suszenia. (Zakres: od 00:30 do 24:00, w odstępach półgodzinnych).
- Ustawiony czas zostanie automatycznie zapisany po upływie kilku sekund.
- Urządzenie rozpocznie pracę - pozostały czas suszenia pokazywany będzie na wyświetlaczu LED. Uruchomi się wentylator znajdujący się z tyłu urządzenia.

Ustawienie temperatury:

- Wciśnij przycisk TEMP/TIME raz, by sprawdzić aktualne ustawienie temperatury. Aby zmniejszyć lub zwiększyć wartość ustawienia temperatury, wciśnij przyciski „+” lub „-”. (Domyślna temperatura: 70°C, zakres: od 35°C do 75°C, ustawienie co 5°C).



- Ustawiona temperatura zostanie automatycznie zapisana po upływie kilku sekund, po czym wyświetlacz LED ponownie pokaże pozostały czas suszenia.
- Aby sprawdzić wartość ustawionej temperatury, wciśnij jednokrotnie przycisk TEMP/TIME - ustawiona temperatura pojawi się na wyświetlaczu LED.
- Możesz zmienić ustawienia czasu lub temperatury podczas pracy urządzenia, wciskając przycisk TEMP/TIME. Następnie za pomocą przycisków „+” lub „-” możesz wydłużyć lub skrócić czas suszenia lub wartość temperatury.

Przejęcie do trybu czuwania (STANDBY)

- Wciśnij przełącznik (ON/OFF), by przełączyć urządzenie w tryb czuwania. Wszystkie przyciski zgasną za wyjątkiem przełącznika (ON/OFF). Na wyświetlaczu LED ukaże się „0000” w kolorze biały.

Zakończenie odliczenia pozostałego czasu

- Kiedy ustawiony czas dojdzie do wartości 00:00, najpierw wyłącza się elementy grzewcze. Wentylator wyłącza się po upływie ok. 10 sekund i rozlegnie się dwudziestokrotny sygnał dźwiękowy, informujący użytkownika, że suszenie dobiegło końca.
- Na wyświetlaczu LED pojawi się napis „END” (Koniec) i urządzenie przejdzie w tryb czuwania.
- Odtłącz wtyczkę z gniazdka; jeśli to konieczne, podczas wyjmowania żywności z urządzenia stosuj rękawice (niedotknięcie do urządzenia).

Czyszczenie i konserwacja

Uwaga: Przed rozpoczęciem czyszczenia zawsze wyłącz urządzenie z gniazdka i odczekaj, aż ostygnie.

PL

Czyszczenie

- Wewnętrzne i zewnętrzne elementy urządzenia, półki, tackę oraz drzwiczki myj za pomocą miękkiej ściereczki zamoczonej w ciepłej wodzie z łagodnym detergentem. Nie czyść wentylatora.
- Przed schowaniem suszarki wszystkie elementy wysusz suchą ściereczką.
- Co pewien czas wyczyść wentylator przy pomocy odkurzacza.
- Uwaga! Nigdy nie czyść urządzenia przy pomocy żrących środków chemicznych lub środków ściernych, ponieważ mogą one uszkodzić powierzchnię suszarki.

Przechowywanie

- Przed umieszczeniem w miejscu przechowywania, zawsze upewnij się, czy urządzenie zostało wyłączone z gniazdka i całkowicie ostygło.
- Przechowuj urządzenie w chłodnym, czystym i suchym miejscu poza zasięgiem dzieci.



Wyszukiwanie i usuwanie usterek

Jeśli urządzenie nie działa prawidłowo, zapoznaj się z poniższą tabelą w celu znalezienia prawidłowego rozwiązania. Jeśli nadal nie możesz rozwiązać problemu, skontaktuj się z dostawcą.

Problem	Możliwa przyczyna	Rozwiązanie
Przycisk włączenia/wyłączenia nie jest podświetlony na czerwono	Brak zasilania	Sprawdź, czy wtyczka jest właściwie podłączona do gniazdka.
	Usterka włącznika	Skontaktuj się z dostawcą
Komora nie nagrzewa się	Usterka elementu grzewczego, termostatu lub wentylatora	Skontaktuj się z dostawcą
Komora nagrzewa się do zbyt wysokiej temperatury	Usterka elementu grzewczego lub termostatu	Skontaktuj się z dostawcą
Suszenie trwa zbyt długo	Zbyt wilgotne otoczenie	Umieścić urządzenie w mniej wilgotnym otoczeniu
	Usterka elementu grzewczego, termostatu lub wentylatora	Skontaktuj się z dostawcą

Specyfikacja techniczna

Numer produktu	229026	229033
Napięcie robocze i częstotliwość	220- 240V~ 50-60Hz	
Znamionowy pobór mocy	900 - 1100W	550 - 650W
Zakres temperatury	35°C ~ 75°C	
Zakres czasu suszenia	Od 30 minut do 24 godzin	
Klasa ochronności	Klasa I	
Liczba regatów	10	6
Wymiary	417x535x(wys.)430 mm	340x450x(wys.)311 mm

PL

Uwaga: Specyfikacja techniczna może ulec zmianie bez uprzedzenia.

Gwarancja

Każda wada bądź usterka powodująca niewłaściwe funkcjonowanie urządzenia, która ujawni się w ciągu jednego roku od daty zakupu, zostanie bezpłatnie usunięta lub urządzenie zostanie wymienione na nowe, o ile było użytkowane i konserwowane zgodnie z instrukcją obsługi i nie było wykorzystywane w niewłaściwy sposób lub niezgodnie z przeznaczeniem. Postanowienie to w żadnej mierze nie narusza innych praw użytkownika wynikających z przepisów prawa. W przypadku zgłoszenia urzą-

dzenia do naprawy lub wymiany w ramach gwarancji należy podać miejsce i datę zakupu urządzenia i dotychczas dowód zakupu (np. paragon).

Zgodnie z naszą polityką ciągłego doskonalenia wyrobów zastrzegamy sobie prawo do wprowadzania bez uprzedzenia zmian w wyrobie, opakowaniu oraz danych technicznych podawanych w dokumentacji.



Wycofanie z użytkowania i ochrona środowiska

Pamiętaj!

Nie wyrzucaj zużytego sprzętu łącznie z innymi odpadami

Nie demontuj zużytych urządzeń zawierających niebezpieczne składniki na własną rękę!

Groź Ci za to kary grzywny!

Po zakończeniu eksploatacji produktu nie wolno gromadzić razem z odpadami komunalnymi, tylko należy odstawić do punktu odbioru odpadów elektrycznych i elektronicznych. Użytkownik ponosi odpowiedzialność za przekazanie wycofanego z użytkowania urządzenia do punktu gospodarowania odpadami. Nieprzestrzeganie tej zasady może być karane zgodnie z lokalnie obowiązującymi przepisami dotyczącymi gospodarowania odpadami. Jeśli urządzenie wycofane z użytkowania jest poprawnie odebrane jako osobny odpad, może zostać przetworzone i zutylizowane w sposób przyjazny dla środowiska, co zmniejsza negatywny wpływ na środowisko i zdrowie ludzi. Aby uzyskać więcej informacji dotyczących dostępnych usług w zakresie odbioru odpadów, należy skontaktować się z lokalną firmą odbierającą odpady.



Symbol przekreślonego kosza na śmieci oznacza, że tego produktu nie wolno wyrzucać do zwykłych pojemników na odpady.

Zużyte urządzenia elektryczne i elektroniczne mogą zawierać niebezpieczne składniki np. rtęć, ołów, kadm lub freon. Jeśli tego typu substancje przedostaną się w sposób niekontrolowany do środowiska, spowodują skażenie wody i gleby, a także wpłyną niekorzystnie na zdrowie ludzi i zwierząt.


Właściwe postępowanie ze zużytym sprzętem zapobiega potencjalnym negatywnym konsekwencjom dla środowiska naturalnego i ludzkiego zdrowia.

Jednocześnie oszczędzamy naturalne zasoby naszej Ziemi wykorzystując powtórnie surowce uzyskane z przetwarzania sprzętu.

Cher client,

Merci d'avoir acheté cet appareil de Hendi. Veuillez lire attentivement ce mode d'emploi avant de brancher l'appareil afin d'éviter tout endommagement pour cause d'usage abusif. Veuillez notamment lire les consignes de sécurité avec la plus grande attention.

Règles de sécurité


- L'utilisation abusive et le maniement incorrect de l'appareil peuvent entraîner une grave détérioration de l'appareil ou provoquer des blessures.
- Cet appareil est destiné à un usage professionnel uniquement.
- L'appareil doit être utilisé uniquement pour le but il a été conçu. Le fabricant décline toute responsabilité en cas de dommage consécutif à un usage abusif ou un maniement incorrect.
- Veillez à tenir l'appareil et la prise électrique hors de portée de l'eau ou de tout autre liquide. Si malencontreusement l'appareil tombe dans l'eau, débranchez immédiatement la prise électrique et faites contrôler l'appareil par un réparateur agréé. La non-observation de cette consigne entraîne un risque d'accident mortel.
- Ne tentez jamais de démonter vous-même le bâti de l'appareil.
- N'enfoncez aucun objet dans la carcasse de l'appareil.
- Ne touchez pas la prise avec les mains mouillées ou humides.
-  **Risque d'électrocution!** Ne tentez jamais de réparer l'appareil. Tous défauts et dysfonctionnement doivent être supprimés par le personnel qualifié.
- **N'utilisez jamais l'appareil endommagé!** Débranchez l'appareil endommagé de l'alimentation électrique et contactez votre revendeur.
- **Avertissement:** N'immergez pas les pièces électriques de l'appareil dans l'eau ou dans d'autres liquides. Ne mettez pas l'appareil sous l'eau courante.
- Vérifiez régulièrement la fiche et le câble d'alimentation pour les dommages. La fiche ou le câble d'alimentation endommagé(e) transmettre pour la réparation au service ou à une personne qualifiée, pour prévenir tous les menaces ou les blessures possibles.
- Assurez-vous que le câble d'alimentation n'est pas en contact avec les objets pointus ou chauds ; gardez le câble loin des flammes nues. Pour retirer la fiche de la prise murale, tirez toujours en tenant la fiche et non le câble d'alimentation.
- Protégez le câble d'alimentation (ou la rallonge) contre le débranchement accidentel de la prise murale. Le câble doit être posé de manière ne provoquant pas les chutes accidentelles.
- Surveillez en permanence l'appareil pendant l'utilisation.
- **Avertissement!** Si la fiche est insérée dans la prise murale, l'appareil doit être considéré comme branché à l'alimentation.
- Avant de retirer la fiche de la prise, éteignez l'appareil !
- Ne transportez jamais l'appareil en tenant le câble.
- N'utilisez aucuns accessoires qui n'ont pas été fournis avec l'appareil.
- L'appareil doit être branché à la prise murale avec une tension et la fréquence indiquées sur la plaque signalétique.

FR



- Insérez la fiche à la prise murale située dans un endroit facilement accessible de sorte qu'en cas de panne l'appareil puisse être immédiatement déconnecté. Pour éteindre complètement l'appareil, débranchez-le de la source d'alimentation. Pour cela, retirez la fiche à l'extrémité du câble d'alimentation de la prise murale.
- Éteignez l'appareil avant de débrancher l'appareil de la prise!
- N'utilisez jamais les accessoires non recommandés par le fabricant. L'utilisation des accessoires non recommandés peut présenter des risques pour l'utilisateur et provoquer les dommages à l'appareil. Utilisez uniquement des pièces et accessoires originaux.
- Cet appareil n'est pas apte à être utilisé par des personnes (enfants compris) avec capacités physiques, sensorielles ou intellectuelles diminuées ou ne possédant pas l'expérience et les connaissances suffisantes.
- Ne laissez jamais les enfants utiliser l'appareil.
- L'appareil et le câble d'alimentation doivent être stockés hors de la portée des enfants.
- Ne permettez pas aux enfants d'utiliser l'appareil pour jouer
- Débranchez toujours l'appareil de l'alimentation s'il doit être laissé sans surveillance et également avant le montage, le démontage et le nettoyage.
- Ne laissez jamais l'appareil sans surveillance lorsqu'il est utilisé.

Consignes de sécurité particulières

- Utilisez l'appareil conformément au mode d'emploi.
- L'appareil doit être installé et utilisé par un personnel qualifié de cuisine dans des restaurants par exemple les employés de services de restauration, des restaurants et des bars etc.
- Toutes les interventions d'entretien et de montage ainsi que la réparation de l'appareil doivent être effectués par des techniciens qualifiés et autorisés.
-  **Attention ! Risque de brûlures !** Ne touchez pas l'appareil pendant son fonctionnement – la température de surfaces disponibles pour l'utilisateur peut être très élevée.
- Ne placez pas l'appareil sur un objet émettant de la chaleur (la cuisinière à gaz, électrique ou les barbecues etc.) Tenez l'appareil éloigné des surfaces chaudes ou des flammes nues. Placez l'appareil sur une surface stable, propre et sèche, résistant à des températures élevées.
- N'utilisez pas à proximité de l'appareil des matériaux inflammables ou explosifs, les cartes bancaires, les disques magnétiques ou la radio.
- Ne placez pas d'objets lourds sur l'appareil.
- Ne couvrez jamais l'appareil ou les trous de ventilation avec d'autres objets (p.ex. torchon de cuisine).
- **Attention !** Faites passer et sécurisez le cordon d'alimentation afin d'éviter une traction accidentelle ou un contact avec la plaque de cuisson.
- Ne nettoyez pas l'appareil avec de l'eau ou avec un fort courant d'eau. Le lavage de l'appareil avec de l'eau peut provoquer la pénétration de l'eau dans des parties électriques et provoquer le choc électrique. Les parties de l'appareil ne peuvent pas être lavées dans le lave-vaisselle.

- Ne nettoyez pas l'appareil ou ne le rangez pas avant le refroidissement complet.
- Soyez prudent pendant le transport de l'appareil en raison de son poids. L'appareil doit être transporté par deux personnes ou à l'aide d'un chariot

Destination de l'appareil

- L'appareil est destiné à un usage professionnel.
- Cet appareil est conçu uniquement pour le séchage d'aliments adaptés, tels des légumes, des fruits, etc. L'utilisation de l'appareil à d'autres fins peut entraîner des dommages ou des blessures.
- L'utilisation de l'appareil à d'autres fins sera considérée comme une utilisation inappropriée. L'utilisateur sera seul responsable de l'utilisation incorrecte de l'appareil.

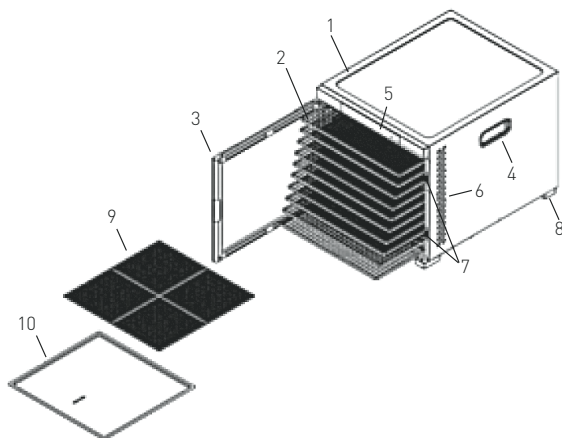
Mise à la terre

La cuisinière est un appareil de la 1ère classe de protection et doit être obligatoirement mis à la terre. La mise à la terre réduit le risque de choc électrique grâce à un conduit évacuant le courant

électrique. L'appareil est équipé d'un conduit avec la mise à la terre et la prise de terre. N'insérez pas la fiche à la prise murale si l'appareil n'a pas été correctement installé et mis à la terre.

Eléments principaux de l'appareil

- 1) Boîtier métallique
- 2) Plateaux en inox
(x 10 pour numéro de produit 229026;
x 6 pour numéro de produit 229033)
- 3) Porte
- 4) Poignées (x2)
- 5) Panneau de commande
- 6) Trous de ventilation
- 7) Bandes magnétiques (x2)
- 8) Pieds (x4)
- 9) Grille (x1)
- 10) Egouttoir (x1)



FR

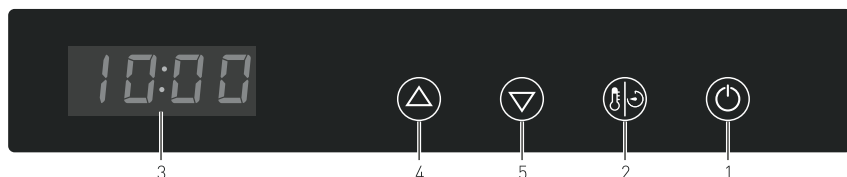


Le panneau de commande

Numéro de produit: 229026



Numéro de produit: 229033



- 1) Interrupteur (ON/OFF)
- 2) Bouton de réglage de la température/du temps (TEMP/TIME)
- 3) Ecran LED
- 4) Augmentation de la valeur de la température/du temps (TEMP/TIME)
- 5) Réduction de la valeur de la température/du temps (TEMP/TIME)

Avant la première utilisation

- Vérifiez que l'appareil n'est pas endommagé. En cas de dommage, contactez immédiatement le fournisseur. NE démarrez PAS l'appareil.
- Désemballez soigneusement l'appareil, retirez et enlevez l'emballage et les protections. Assurez-vous que sur l'appareil il n'y a plus de fragments d'emballage.
- Assurez-vous que la livraison est complète (10 plateaux en inox pour numéro de produit 229026; 6 plateaux en inox pour numéro de produit 229033, grille, égouttoir et que ses éléments n'ont pas été endommagés pendant le transport. En cas de dommages causés pendant le transport ou d'éléments manquant, contactez immédiatement votre fournisseur.
- Nettoyez le boîtier, les plateaux et l'égouttoir avec un chiffon humide et détergent doux (Voir ==> Nettoyage et entretien) Avant d'utiliser l'appareil assurez-vous que tous les éléments sont complètement secs.
- Placez l'appareil sur une surface plate, stable, propre et résistant au feu.
- Assurez-vous qu'autour de l'appareil il y a 15 cm d'espace pour maintenir une bonne ventilation.
- Placez l'appareil dans un tel endroit où l'accès facile à la fiche est toujours garanti.
- Placez l'égouttoir pour des déchets alimentaires qui restent après le séchage.
- Ajouter un filet sur la grille en inox pour les aliments de petite taille.

Attention : Après avoir nettoyé l'appareil, allumez-le (Voir ==> Fonctionnement) laissez-le pendant env. 30 minutes et réglez la température à 75°C. En raison des résidus de production, l'appareil peut émettre une odeur désagréable au début du fonctionnement. Ce phénomène est tout à fait normal et ne signifie pas un mauvais fonctionnement ou le fonctionnement dangereux. Assurez-vous que l'appareil est bien ventilé

Conseils pour la préparation des aliments

- Pour préparer des aliments en toute sécurité et de manière hygiénique, lavez bien les aliments avant de les placer dans le déshydrateur.
- Ne placez pas de nourriture gâchée dans le déshydrateur, les fragments pourris d'aliments doivent être enlevés.
- Le séchage est plus uniforme si les fruits ou les légumes présents de l'appareil sont coupés en plus ou moins égaux morceaux.
- Le temps de séchage est plus court si les morceaux de légumes ou de fruits sont plus petits et plus fins.
- Les aliments dans l'appareil sont soumis au processus de séchage continu. N'interrompez jamais le processus de séchage démarré par l'appareil.

Temps de séchage approprié et conseils sur divers légumes et fruits

Le temps de séchage dépend en grande partie du type de nourriture séchée – de la teneur en eau, de la maturité, de l'épaisseur, du réglage de la

température et de l'humidité à l'intérieur de la chambre.

Conservation des aliments séchés

- Laissez refroidir les aliments séchés. Assurez-vous qu'ils sont complètement secs. Les facteurs ci-dessus sont essentiels pour une conservation adéquate des aliments.
- Pour prévenir la dégradation des aliments, les légumes et les fruits séchés ne peuvent pas absorber l'humidité pendant la conservation. Par conséquent, toutes les boîtes, les récipients en verre et en plastique dans lesquels les aliments séchés sont conservés doivent être bien fermés. Il serait le mieux de conserver les aliments sous vide.
- Les aliments séchés doivent être conservés dans un endroit sec, frais et propre – ces conditions garantissent la conservation à long terme des aliments séchés.

FR

Fonctionnement

- Placez l'appareil sur une surface plane, stable, antidérapante, résistant au feu.
- Répartissez uniformément les aliments sur les plateaux pour que les fragments particuliers ne se couvrent pas. Pour maintenir une bonne ventilation à l'intérieur de l'appareil, 10% de la surface des plateaux doivent rester vides.
- Enlevez les plateaux vides de l'appareil. 10 plateaux peuvent se trouver dans le même temps dans l'appareil.
- En insérant les plateaux dans le déshydrateur assurez-vous qu'ils ont été positionnés correctement par rapport aux parois latérales. Fermez soigneusement la porte.
- Ensuite, connectez la fiche à une prise électrique appropriée – l'appareil se trouve en mode de veille (STANDBY). Le signal sonore sera émis ; l'interrupteur (ON / OFF) sera allumé en bleu, l'écran LED affichera „0000” en blanc.
- Appuyez sur l'interrupteur (ON/OFF) pour commencer le fonctionnement, l'écran affichera „10 :00” (10 heures). Tous les boutons du panneau de commande seront allumés en bleu.

Réglage du temps

- Vous pouvez augmenter ou réduire le temps de séchage en utilisant les boutons „+” ou „-” (Plage : de 00 :30 à 24:00 dans des intervalles d'une demi-heure).
- Le temps réglé est automatiquement enregistré après quelques secondes.
- L'appareil commence à fonctionner – le temps de séchage restant est affiché sur l'afficheur LED. Le ventilateur à l'arrière de l'appareil est démarré.



Réglage de la température :

- Appuyez sur le bouton TEMP/TIME une fois pour contrôler le réglage actuel de la température. Pour augmenter ou réduire la valeur de la température, appuyez sur „+” ou „-”. (la température par défaut est de : 70°C, plage : de 35°C à 75°C, réglage tous les 5°C).
- La température réglée sera automatiquement enregistrée après quelques secondes et l'écran LED affichera le temps de séchage restant.
- Pour vérifier la température réglée LED appuyez une fois le bouton TEMP/TIME – la température réglée sera affichée sur l'écran LED.
- Vous pouvez modifier le réglage du temps et de la température pendant le fonctionnement de l'appareil en appuyant sur le bouton TEMP/TIME. Ensuite, en utilisant les boutons „+” ou „-” vous pouvez prolonger le temps de séchage ou la valeur de la température.

Mode de veille (STANDBY)

- Appuyez sur l'interrupteur (ON/OFF) pour mettre l'appareil en mode de veille. Tous les boutons s'éteignent à l'exception de l'interrupteur (ON/OFF). L'écran LED affichera „0000” en blanc.

Fin de la déduction du temps restant

- Lorsque le temps réglé atteint la valeur 00:00, d'abord tous les éléments chauffants sont désactivés. Le ventilateur s'arrête après environ 10 secondes et un signal sonore sera émis vingt fois pour informer l'utilisateur que le séchage est terminé.
- L'écran LED affichera l'inscription „END” (FIN) et l'appareil passe en mode de veille.
- Débranchez la fiche de la prise électrique et si c'est nécessaire utilisez les gants (non inclus) pour enlever les aliments.

Nettoyage et entretien

Attention ! Avant le nettoyage de l'appareil déconnectez la fiche de la prise électrique et attendez jusqu'à ce qu'il refroidisse.

Nettoyage

- Nettoyez les éléments internes et externes de l'appareil tels que les plateaux, l'égouttoir et la porte avec un chiffon doux imbibé de l'eau tiède avec un détergent doux. Ne nettoyez pas le ventilateur.
- Avant de ranger le déshydrateur, séchez tous les éléments avec un chiffon sec.
- De temps en temps nettoyez le ventilateur avec un aspirateur.
- Attention ! Ne nettoyez jamais l'appareil avec des produits chimiques caustiques ou abrasifs, car cela peut endommager la surface du déshydrateur.

Stockage

- Avant de ranger l'appareil, assurez-vous qu'il a été débranché de la prise et a complètement refroidi.
- Gardez l'appareil dans un endroit frais, propre et sec, hors de la portée des enfants.

Dépannage

Si l'appareil ne fonctionne pas correctement, lisez les instructions dans le tableau ci-dessous pour trouver une bonne solution. Si vous ne pouvez pas résoudre le problème, contactez votre revendeur.

Problème	Cause possible	Solution
Le bouton de marche/arrêt n'est pas allumé en rouge	Pas d'alimentation	Vérifiez si la fiche est correctement branchée à la prise.
	Interrupteur défectueux	Contactez votre fournisseur
La chambre ne chauffe pas	Elément chauffant, thermostat ou ventilateur défectueux.	Contactez votre fournisseur
La chambre chauffe à une température trop élevée	Elément chauffant, thermostat défectueux.	Contactez votre fournisseur
Le séchage dure trop longtemps	Environnement trop humide	Placez l'appareil dans un endroit moins humide
	Elément chauffant, thermostat ou ventilateur défectueux	Contactez votre fournisseur

Caractéristiques techniques

Numéro du produit	229026	229033
Tension et fréquence	220- 240V~ 50-60Hz	
Consommation d'énergie	900 - 1100W	550 - 650W
Plage de températures	35°C ~ 75°C	
Temps de séchage	de 30 minutes à 24 heures	
Niveau de protection	Classe I	
Nbre d'étagères	10	6
Dimensions	417x535x(H)430 mm	340x450x(H)311 mm

FR

Remarque : Les caractéristiques techniques peuvent être modifiées sans préavis.

Garantie

Tout vice ou toute défaillance entraînant un dysfonctionnement de l'appareil qui se déclare dans les 12 mois suivant la date de l'achat sera éliminé à titre gratuit ou l'appareil sera remplacé par un appareil nouveau si le premier a été dûment exploité et entretenu conformément aux termes de la notice d'exploitation et s'il n'a pas été indûment exploité ou de manière non conforme à sa destination. La présente stipulation ne porte pas de préjudice aux autres droits de l'utilisateur prévus par les dispositions légales. Dans le cas où l'appareil est donné à la réparation ou doit être remplacé

dans le cadre de la garantie, il y a lieu de spécifier le lieu et la date de l'achat de l'appareil et produire un justificatif nécessaire (par ex. facture ou ticket de caisse).

Conformément à notre politique d'amélioration permanente de nos produits, nous nous réservons le droit d'introduire sans avertissement préalable des modifications à l'appareil, à l'emballage et aux caractéristiques techniques précisées dans la documentation.



Élimination et protection de l'environnement

En cas de retrait du produit de l'exploitation l'appareil ne peut pas être jeté avec d'autres déchets ménagers. L'utilisateur est responsable de la remise de l'équipement au point de collecte approprié pour l'équipement usagé. Le non-respect des dispositions ci-dessus peut entraîner les pénalités conformément à la réglementation applicable en matière d'élimination des déchets. La collecte sélective et le recyclage des équipements usagés contribuent à la conservation des ressources na-

turelles et assurent un recyclage sans danger pour la santé et l'environnement. Pour plus d'informations sur les endroits de collecte des équipements usagés pour le recyclage, contactez la société de collecte des déchets locale. Le producteur et l'importateur ne sont pas responsables du recyclage et du traitement des déchets d'une manière respectueuse de l'environnement directement et dans le système public.

Gentile cliente,

grazie per aver acquistato questo apparecchio Hendi. Ti invitiamo a leggere queste istruzioni per l'uso con attenzione prima di collegare l'apparecchio al fine di evitare danni dovuti a uso improprio. Ti invitiamo inoltre a prestare particolare attenzione alle precauzioni di sicurezza.

Precauzioni di sicurezza


- L'uso scorretto e improprio dell'apparecchio possono danneggiare seriamente l'apparecchio e ferire gli utenti.
- Questo apparecchio è destinato esclusivamente all'uso commerciale.
- L'apparecchio può essere utilizzato solo per lo scopo per cui è stato concepito e progettato. Il produttore non è responsabile di eventuali danni provocati da uso scorretto ed improprio.
- Tenere l'apparecchio e la spina elettrica lontani da acqua ed altri liquidi. Nel caso improbabile che l'apparecchio cada in acqua, staccare immediatamente la spina dalla presa e fare ispezionare l'apparecchio da un tecnico certificato. L'inosservanza delle presenti istruzioni può dare luogo a situazioni pericolose
- Non provare mai ad aprire l'involucro dell'apparecchio da soli.
- Non inserire oggetti nell'involucro dell'apparecchio.
- Non toccare la presa con le mani bagnate o umide.
- ⚡ **Pericoli di scosse elettriche!** Non tentare di riparare l'apparecchio da solo. Eventuali difetti e malfunzionamenti devono essere rimossi soli da personale qualificato.
- **Non usare l'apparecchio danneggiato!** L'apparecchio difettoso deve essere immediatamente scollegato dalla rete e contattare il rivenditore.
- **Attenzione:** Non immergere parti elettriche in acqua o altri liquidi. Non mettere l'apparecchio sotto l'acqua corrente.
- Controllare regolarmente se la spina e il cavo di alimentazione non sono danneggiati. La spina o il cavo danneggiati trasmettere al servizio o alla persona qualificare per riparare, per evitare eventuali pericoli e lesioni.
- Assicurarsi che il cavo di alimentazione non è in contatto con oggetti appuntiti o caldi. Tenere il cavo lontano da fiamme libere. Per scollegare la spina dalla presa, tirare sempre la spina, mai il cavo.
- Proteggere il cavo di alimentazione (o di estensione) per la sconnessione accidentale dalla presa. Disporre il cavo in modo per evitare lo slittamento accidentale.
- Sorvegliare l'apparecchio continuamente durante l'uso.
- **Attenzione!** Se la spina è inserita nella presa, l'apparecchio è considerato come collegato.
- Prima di rimuovere la spina dalla presa, spegnere l'apparecchio!
- Non trasportare l'apparecchio tenendo il cavo di alimentazione.
- Non utilizzare qualsiasi accessorio che non è stato fornito con l'apparecchio.
- L'apparecchio deve essere collegato ad una presa con tensione e frequenza indicate sulla targhetta.

IT



- Inserire la spina nella presa situata in un punto facilmente accessibile in modo che in caso di guasto sia possibile scollegare immediatamente l'apparecchio. Per spegnere completamente l'apparecchio, scollegarlo dalla presa di corrente. Per questo staccare la spina che si trova sull'estremità del cavo di alimentazione.
- Prima di scollegare la spina, ricordarsi sempre di spegnere l'apparecchio!
- Non usare gli accessori non raccomandati dal produttore. L'uso di accessori non raccomandati può creare i rischi per l'utente e provocare i danni all'apparecchio. Usare unicamente solo pezzi ed accessori originali.
- L'installazione elettrica deve soddisfare le normative nazionali e locali applicabili. Questo apparecchio non è destinato all'uso da parte di persone (inclusi i bambini) con capacità fisiche, sensoriali o mentali ridotte, o senza esperienza e conoscenza.
- Non permettere ai bambini di utilizzare l'apparecchio.
- Tenere l'apparecchio con il cavo fuori dalla portata dei bambini.
- Non permettere ai bambini di giocare con l'apparecchio.
- Scollegare l'apparecchio dalla rete se esso deve essere lasciato incustodito e prima del montaggio, dello smontaggio o della pulizia.
- Non lasciare l'apparecchio incustodito durante l'utilizzazione.

Norme di sicurezza specifiche

- Utilizzare l'apparecchio solo in conformità con le istruzioni.
- L'apparecchio dovrebbe essere utilizzato e mantenuto dal personale di cucina qualificato in ristoranti, mense, punti di ristoro o da persone che servono bar ecc.
- Tutte le operazioni di manutenzione, di installazione e la riparazione dell'apparecchio devono essere eseguite da un personale qualificato o autorizzato
-  **Attenzione! Superficie calda! Rischio di ustioni!** Non toccare l'apparecchio durante il funzionamento – la temperatura delle superfici accessibili all'utente può essere molto elevata.
- Non posizionare l'apparecchio sull'oggetto che emette calore (cucina a gas, elettrica grill ecc.). Tenere l'apparecchio lontano da qualsiasi superfici calde o fiamme libere. Posizionare l'apparecchio su una superficie stabile, pulita, asciutta e resistente alle alte temperature.
- Non usare vicino all'apparecchio i materiali infiammabili e esplosivi, carte di pagamento, dischi magnetici o radio.
- Non mettere sull'apparecchio oggetti pesanti.
- Non coprire mai l'apparecchio o le sue aperture di ventilazione (ad esempio con una lavanderia).
- **Attenzione!** Far passare correttamente e proteggere il cavo di alimentazione per evitare tiratura accidentale o contatto con la piastra di cottura.
- Non lavare l'apparecchio con acqua o un forte getto di acqua. La pulizia dell'apparecchio con l'acqua può causare la penetrazione nei componenti elettrici e causare una scossa elettrica. Le parti dell'apparecchio non possono essere lavate in lavastoviglie.

- Non pulire l'apparecchio o stoccarlo in deposito prima di raffreddamento completo.
- Mantenere la prudenza durante il trasferimento dell'apparecchio a causa del suo peso. L'apparecchio deve essere trasportato da due persone o spostato sul carrello.

Destinazione del dispositivo

- Il dispositivo è destinato all'uso professionale.
- Questo apparecchio è progettato solo per essiccare alimenti adatti come vegetali, frutta, ecc. L'uso del dispositivo per qualsiasi altro scopo può causare danni o lesioni.
- L'uso del dispositivo per qualsiasi altro scopo sarà considerato un uso improprio. L'utente sarà l'unico responsabile per l'uso scorretto del dispositivo.

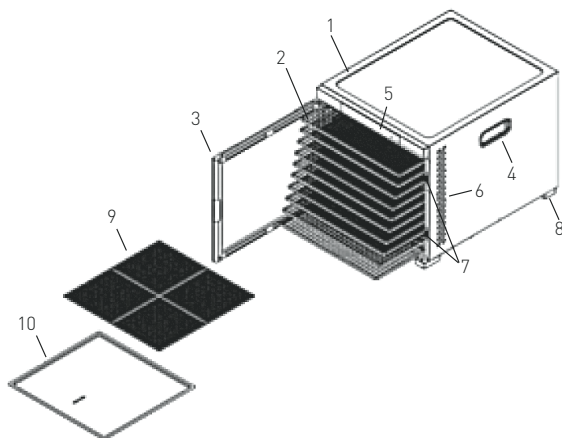
Messa a terra

Il forno è l'apparecchio della I classe di protezione e deve essere messo a terra. La messa a terra riduce il rischio di scosse elettriche grazie al cavo evacuante il corrente elettrico. L'apparecchio è do-

tato di un cavo con una messa a terra. Non inserire la spina nella presa di corrente se l'apparecchio non è stato correttamente installato o messo a terra.

Elementi principali dell'apparecchio

- 1) Custodia in metallo
- 2) Vassoi in acciaio inox
(x 10 per numero del prodotto 229026;
x 6 per numero del prodotto 229033)
- 3) Porta
- 4) Maniglie (x2)
- 5) Pannello di controllo
- 6) Fori di ventilazione
- 7) Strisce magnetiche (x2)
- 8) Piedini (x4)
- 9) Griglia (x1)
- 10) Vassoio (x1)



IT

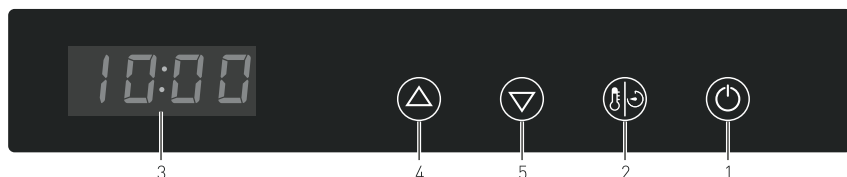


Pannello di controllo dell'apparecchio

Numero del prodotto: 229026



Numero del prodotto: 229033



1) Interruttore (ON/OFF)

2) Pulsante di temperatura/di impostazione del tempo (TEMP/TIME)

3) Display LED

4) Aumento della temperatura / del tempo (TEMP/TIME)

5) Riduzione della temperatura / del tempo (TEMP/TIME)

Prima del primo uso:

- Controllare che l'apparecchio non è danneggiato. In caso di eventuali danni, contattare immediatamente il fornitore e NON avviare l'apparecchio.
- Aprire l'apparecchio con prudenza, rimuovere e eliminare l'imballaggio e tutte le protezioni. Assicurarsi che non ci siano più frammenti di imballaggio.
- Controllare che la consegna è completa (10 Vassoi in acciaio inox per numero del prodotto 229026; 6 Vassoi in acciaio inox per numero del prodotto 229033, griglia, vassoio) e che i suoi elementi non sono stati danneggiati durante il trasporto. In caso di danni causati dal trasporto o in caso di elementi mancanti, contattare immediatamente il fornitore.
- Pulire la custodia, gli scaffali e il vassoio con un panno morbido e detergente delicato. (Vedi ==>

Pulizia e manutenzione) Prima di utilizzare l'apparecchio assicurarsi che tutte le sue parti sono completamente asciutte.

- Posizionare l'apparecchio su una superficie piana, stabile, pulita e resistente al fuoco.
- Assicurarsi che intorno all'apparecchio è una distanza di 15 cm per garantire una corretta ventilazione.
- Posizionare l'apparecchio in un tale luogo dove l'accesso alla spina sia facile.
- Posizionare nella parte inferiore dell'apparecchio un vassoio per i piccoli frammenti di alimenti dopo l'essicazione.
- Aggiungere una retina sulla griglia in acciaio per alimenti di piccole dimensioni.

Attenzione: Dopo la pulizia dell'apparecchio accenderlo (Vedi ==> Funzionamento) per circa 30 minuti e impostare la temperatura a 75°C. L'apparecchio può emettere un odore sgradevole all'inizio del funzionamento dell'apparecchio. Questo è normale e non significa che il funzionamento non corretto o pericolo. Assicurarsi che l'apparecchio è ben ventilato.

Consigli per la preparazione del cibo

- Per preparare il cibo in modo sicuro e igienico, lavare accuratamente il cibo prima di metterlo nell'essiccatore.
- Non mettere nell'essiccatore alimenti deteriorati - frammenti putrefatti di cibo devono essere rimossi.
- L'essiccazione è più uniforme se la frutta o verdura messe nell'apparecchio sono tagliati in parti uguali.
- Il tempo di essiccazione sarà più breve se i pezzi di frutta e verdura sono più piccoli i più sottili.
- Il cibo nell'apparecchio è sottomesso ad un processo di essiccazione continua. Non interrompere mai il processo di essiccazione iniziato dall'apparecchio.

Tempo di essiccazione adatto e consigli per varie verdure e frutta

Il tempo di essiccazione dipende in larga misura dal tipo di cibo essiccato, dal contenuto dell'acqua,

maturità, spessore, impostazioni della temperatura e umidità all'interno della camera.

Conservazione di alimenti essiccati

- Lasciare raffreddare il cibo essiccato. Assicurarsi che è completamente essiccato. Questi fattori sono fondamentali per la conservazione corretta di alimenti.
- Per prevenire la deteriorazione degli alimenti, la frutta o la verdura non possono assorbire umidità durante la conservazione. Di conseguenza, tutte le scatole o i contenitori di vetro o di plastica in cui è conservato il cibo devono essere perfettamente chiusi.
- Il cibo essiccato deve essere conservato in luogo asciutto, fresco e pulito. Queste condizioni garantiscono la conservazione a lungo termine di alimenti essiccati.

Funzionamento

- Posizionare l'apparecchio su una superficie piana, stabile, antiscivolo e resistente al fuoco.
- Distribuire il cibo sugli scaffali in modo uniforme perché i pezzi singoli non si sovrappongano. Per mantenere una corretta ventilazione all'interno dell'apparecchio, lasciare 10% di spazio libero sugli scaffali.
- Rimuovere gli scaffali vuoti dall'essiccatore. Allo stesso tempo ci possono essere 10 scaffali.
- Al momento di inserire gli scaffali nell'essiccatore, assicurarsi che sono stati posizionati correttamente rispetto alle pareti laterali. Chiudere perfettamente la porta.
- Poi collegare la spina ad una presa appropriata – l'apparecchio è in modalità standby (STANDBY). Un segnale acustico sarà emesso, l'interruttore (ON / OFF) sarà illuminato in blu e il display LED visualizza „0000” in bianca.
- Premere l'interruttore (ON/OFF), per avviare il funzionamento – il display visualizzerà „10:00” (10 ore). Tutti i pulsanti del pannello di controllo saranno illuminati in blu.

Impostazioni del tempo:

- Utilizzando i pulsanti „+” o „-” puoi aumentare o diminuire il tempo di essiccazione. (Intervallo: da 00:30 a 24:00 in intervalli di mezz'ora).
- Il tempo impostato sarà automaticamente memorizzato dopo alcuni secondi.
- L'apparecchio inizia il funzionamento – il tempo di essiccazione rimanente verrà visualizzato sul display LED. Il ventilatore sul retro dell'apparecchio si avvierà.



Impostazioni della temperatura:

- Premere una volta il pulsante TEMP/TIME per verificare l'impostazione della temperatura attuale. Per aumentare o ridurre la temperatura premere il pulsante „+” o „-”. (Temperatura predefinita: 70°C, intervallo: da 35°C a 75°C, impostazione ogni 5°C).
- La temperatura impostata verrà automaticamente memorizzata dopo alcuni secondi e il display LED visualizzerà il tempo di essiccazione rimanente.
- Per verificare l'impostazione della temperatura, premere una volta il pulsante TEMP/TIME – la temperatura impostata sarà visualizzata sul display LED.
- È possibile cambiare l'impostazione del tempo o della temperatura durante il funzionamento premendo il pulsante TEMP/TIME. Poi utilizzando i pulsanti „+” o „-” è possibile aumentare o ridurre il tempo di essiccazione o il valore della temperatura.

Modalità standby (STANDBY)

- Premere l'interruttore (ON/OFF) perché l'apparecchio passa in modalità standby. Tutti i pulsanti si spengono all'eccezione dell'interruttore (ON/OFF). Il display visualizza LED „0000” in bianca.

Completamento del tempo rimanente

- Quando il tempo impostato raggiunge il valore 00:00 prima gli elementi di riscaldamento sono disattivati. Il ventilatore si spegne dopo circa 10 secondi e il segnale acustico è emesso venti volte per informare l'utente che l'essiccazione è stata terminata.
- Il display LED visualizza la scrittura „END” (Fine) e l'apparecchio passa in modalità standby.
- Scollegare la spina dalla presa e se necessario, utilizzare i guanti (non inclusi) durante la rimozione del cibo dall'apparecchio.

IT

Pulizia e manutenzione

Attenzione: Prima di iniziare la pulizia, aspettare che l'apparecchio sia completamente raffreddato.

Pulizia

- Pulire gli elementi interni e esterni dell'apparecchio, scaffali, vassoio e porta con un panno morbido immerso in acqua tiepida con un detergente delicato. Non pulire il ventilatore.
- Prima di stoccare l'apparecchio, asciugare tutte le sue parti con un panno asciutto.
- Pulire il ventilatore occasionalmente con un'aspirapolvere.
- Attenzione! Non pulire mai l'apparecchio con sostanze chimiche o abrasivi perché possono danneggiare la superficie dell'essiccatore.

Stoccaggio

- Prima di stoccare l'apparecchio assicurarsi che l'apparecchio sia stato scollegato dalla presa elettrica ed è completamente raffreddato.
- Tenere l'apparecchio in un luogo fresco, pulito e asciutto fuori dalla portata dei bambini.



Risoluzione dei problemi

Se l'apparecchio non funziona correttamente, leggere la tabella qui sotto per trovare la soluzione corretta. Se non è possibile risolvere il problema, contattare il rivenditore.

Problema	Causa possibile	Soluzione possibile
Il pulsante di accensione / spegnimento non è illuminato in rosso	Non c'è alimentazione	Controllare che la spina è correttamente collegata alla presa elettrica
	Interruttore difettoso	Contattare il fornitore
La camera non si riscalda	Elemento riscaldante, termostato o ventilatore difettosi	Contattare il fornitore
La camera si riscalda ad una temperatura troppo elevata	Elemento riscaldante, termostato difettosi	Contattare il fornitore
L'essiccazione dura molto tempo	Ambiente troppo umido	Mettere l'apparecchio in un ambiente meno umido
	Elemento riscaldante, termostato o ventilatore difettosi	Contattare il fornitore

Specifiche tecniche

Numero del prodotto	229026	229033
Tensione e frequenza	220- 240V~ 50-60Hz	
Consumo di energia	900 - 1100W	550 - 650W
Intervallo di temperatura	35°C ~ 75°C	
Tempo di essiccazione	da 30 minuti a 24 ore	
Classe di protezione	Classe I	
Numero di scaffali	10	6
Dimensioni	417x535x(altezza.)430 mm	340x450x(altezza.)311 mm

Nota: Le specifiche tecniche sono soggette a modifiche senza preavviso

Garanzia

Qualsiasi difetto che influenza la funzionalità del dispositivo che compaia entro un anno dall'acquisto sarà corretto a titolo interamente gratuito o con la sostituzione del prodotto che è stato utilizzato e sottoposto a manutenzione corretta seguendo le istruzioni, senza alcuna violazione. I diritti legali del cliente non sono assolutamente modificati. Nel caso in cui l'intervento di manutenzione o sostitu-

zione sia previsto nel periodo di validità della garanzia, precisare dove e quando si è acquistato il prodotto, possibilmente allegando lo scontrino.

In linea con la nostra politica di sviluppo continuo dei prodotti, ci riserviamo il diritto di modificare il prodotto, l'imballo e le specifiche di documentazione, senza notifica alcuna.



Smaltimento e protezione dell'ambiente

In caso di ritiro dell'apparecchiatura dal funzionamento il prodotto non può essere smaltito con altri rifiuti domestici. L'utente è responsabile della consegna dell'attrezzatura al punto di raccolta appropriato per l'attrezzatura usata. Il mancato rispetto delle disposizioni sopramenzionate può comportare l'imposizione di sanzioni in conformità con le normative vigenti in materia di smaltimento dei rifiuti. La raccolta e il riciclaggio selettivi di attrezzature usate contribuiscono alla conserva-

zione delle risorse naturali e garantiscono il riciclaggio in modo tale da non nuocere alla salute e all'ambiente. Per ulteriori informazioni sui luoghi di smaltimento delle apparecchiature usate per il riciclaggio, contattare la società locale di raccolta dei rifiuti. Il produttore e l'importatore non sono responsabili per il riciclaggio e il trattamento dei rifiuti in modo ecologico, sia direttamente che nel quadro del sistema pubblico.

Stimate client,

Vă mulțumim pentru achiziționarea acestui aparat Hendi. Vă rugăm să citiți cu atenția acest manual înainte de a conecta aparatul pentru evitarea defectării ca urmare a utilizării incorecte. Acordați o atenție deosebită regulilor de siguranță.

Reguli de siguranță


- Operarea incorectă și utilizarea necorespunzătoare a aparatului poate avaria grav aparatul și poate cauza răni oamenilor.
- Acest aparat este destinat numai pentru uz comercial.
- Aparatul poate fi folosit doar în scopul pentru care a fost proiectat. Producătorul nu este răspunzător pentru orice avariere cauzată operării incorecte și a utilizării necorespunzătoare.
- Asigurați-vă că aparatul și ștecherul nu intră în contact cu apă sau alte lichide. În cazul în care aparatul este scăpat în apă, scoateți imediat ștecherul din priză și un tehnician autorizat trebuie să-l verifice. Dacă nu respectați aceste instrucțiuni, acest lucru poate cauza situații care vă pot pune viața în pericol.
- Nu încercați să deschideți singuri carcasa aparatului.
- Nu introduceți nici un fel de obiecte în carcasa aparatului.
- Nu atingeți ștecherul cu mâinile ude sau umede.
- ⚠ **Pericol de electrocutare!** Nu încercați să reparați singur/ă aparatul. În cazul unei defecțiuni, reparațiile vor fi efectuate întotdeauna numai de personal calificat.
- **Nu utilizați niciodată un aparat defect!** Deconectați aparatul de la priza electrică și contactați distribuitorul în cazul unei defecțiuni.
- **Avertisment!** Nu scufundați părțile electrice ale aparatului în apă sau în alte lichide. Nu țineți niciodată aparatul sub jet de apă.
- Verificați în mod regulat ștecărul și cablul pentru a vă asigura că nu sunt deteriorate. În cazul în care ștecărul sau cablul de alimentare este deteriorat, acesta trebuie înlocuit de agentul de service sau de alt personal calificat similar pentru a evita orice pericol.
- Cablul nu trebuie să intre în contact cu obiecte ascuțite sau fierbinți și trebuie păstrat departe de foc. Pentru a scoate ștecărul din priză, trageți întotdeauna de ștecăr, nu de cablu.
- Asigurați-vă că nimeni nu poate trage din greșeală cablul (sau prelungitorul) și că nimeni nu se poate împiedica de el.
- Supravegheați întotdeauna aparatul atunci când este în funcțiune.
- **Avertisment!** Atât timp cât ștecărul este în priză, aparatul este conectat la sursa de electricitate.
- Opriti aparatul înainte de a scoate ștecărul din priză.
- Nu cărați niciodată aparatul ținându-l de cablu.
- Nu utilizați dispozitive suplimentare care nu sunt livrate împreună cu aparatul.
- Conectați aparatul doar la prize electrice cu intensitatea și frecvența electrice menționate pe eticheta aparatului.

RO



- Conectați cablul de alimentare la o priză electrică ușor accesibilă, astfel încât aparatul să poată fi deconectat imediat în caz de urgență. Scoateți cablul de alimentare din priza electrică pentru a opri complet aparatul. Utilizați cablul de alimentare ca dispozitiv de deconectare.
- Opriti întotdeauna aparatul înainte de a deconecta cablul de alimentare.
- Nu utilizați niciodată accesoriile care nu sunt recomandate de către producător. Acestea pot reprezenta un risc de siguranță pentru utilizator și pot deteriora aparatul. Utilizați numai piese și accesoriile originale.
- Acest aparat nu trebuie folosit de copii sau persoane care au capacități mentale, senzoriale sau fizice reduse, sau lipsă de experiență și cunoștințe.
- Acest aparat nu trebuie utilizat sub nicio formă de către copii.
- Nu țineți produsul și cablurile sale la îndemâna copiilor.
- Copiii nu trebuie să se joace cu acest produs.
- Deconectați întotdeauna aparatul de la sursa de alimentare în cazul în care este lăsat nesupravegheat, precum și înainte de asamblare, dezasamblare sau curățare.
- Nu lăsați niciodată aparatul nesupravegheat pe parcursul utilizării.

Reglementări Speciale de Siguranță

- Utilizați aparatul așa cum se arată în manual.
- Acest aparat trebuie utilizat și instalat de către personal instruit specializat în bucătăria industriilor alimentare, cum ar fi cele de catering, restaurante, baruri etc.
- Toate lucrările de întreținere, instalare și reparații trebuie efectuate de tehnicieni specializați, instruiți și autorizați.
-  **Atenție! Suprafață fierbinte. Pericol de arsuri!** Nu atingeți aparatul cât timp acesta este în funcțiune deoarece temperatura suprafețelor expuse poate fi foarte ridicată.
- Nu puneți aparatul pe un obiect de încălzire (aparat de gătit cu benzină, electric, cărbune etc.) Țineți aparatul la distanță de orice suprafețe fierbinți și de flăcări deschise. Utilizați întotdeauna aparatul pe o suprafață orizontală, stabilă, curată, termorezistentă și uscată.
- Nu utilizați aparatul în apropierea materialelor explozibile sau inflamabile, cardurilor de credit, discurilor magnetice sau radiourilor.
- Nu puneți obiecte grele peste aparat.
- Nu acoperiți niciodată aparatul sau găurile de ventilație cu alte obiecte (de exemplu, cu cârpe de șters vasele).
- **Atenție!** Așezați corespunzător cablul de alimentare, dacă este cazul, pentru a împiedica tragerea neintenționată sau contactul cu suprafața de încălzire.
- Nu spălați aparatul cu apă sau cu jet de apă. Spălarea cu apă poate produce scurgeri și crește riscul de electrocutare. Componentele nu pot fi curățate în mașina de spălat vase.
- Nu curățați și nu depozitați mașina decât după ce s-a răcit complet.
- Mutarea sau transportul mașinii trebuie efectuate cu atenție deosebită, deoarece are o greutate mare. Efectuați-le în 2 oameni sau ajutându-vă de un cărucior.

Destinația produsului

- Acesta este un aparat de uz profesional.
- Aparatul a fost conceput exclusiv pentru deshidratarea alimentelor care se pretează deshidratării, precum fructe și legume etc. Orice altă utilizare poate provoca avarierea aparatului sau accidentarea persoanelor.

- Utilizarea aparatului în orice alt scop reprezintă o utilizare incorectă. Utilizatorul este singurul răspunzător de orice utilizare incorectă a aparatului.

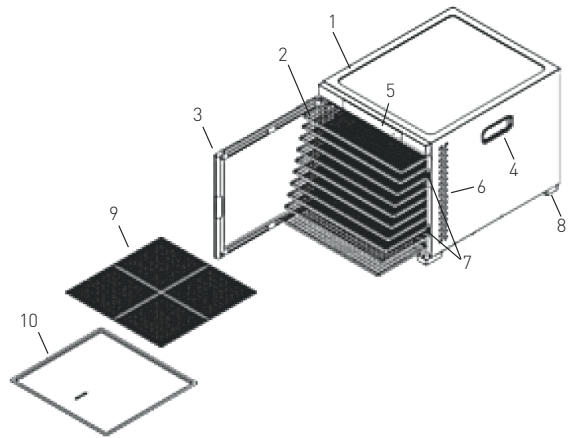
Instalația de împământare

Acest aparat este încadrat în clasa de protecție I și trebuie împământat. Împământarea reduce riscul electrocutării prin asigurarea unui fir de ieșire pentru curentul electric. Acest aparat este dotat cu

un cablu cu fir de împământare cu ștecăr cu împământare. Ștecărul trebuie conectat la o priză instalată corespunzător și împământată.

Principalele piese ale aparatului

- 1) Carcasă metalică
- 2) Tăvi din oțel inoxidabil
(x 10 pentru articol nr 229026;
x 6 pentru articol nr 229033)
- 3) Ușă
- 4) Mâner (x2)
- 5) Panou de comandă
- 6) Orificii de ventilație
- 7) Bară magnetică (x2)
- 8) Picior (x4)
- 9) Plasă (x1)
- 10) Placă de fund (x1)



RO

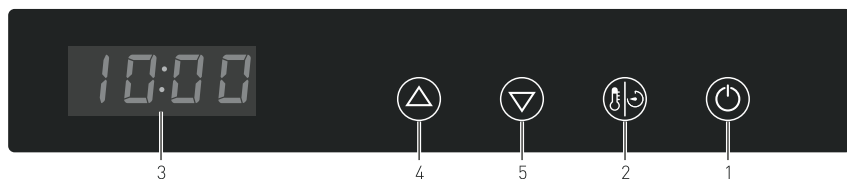


Panoul de comandă al aparatului

Articol nr: 229026



Articol nr: 229033



- 1) Comutator de PORNIRE / OPRIRE
- 2) Buton TEMPERATURĂ / TIMP
- 3) Afișaj ce leduri

- 4) Setarea de creștere (TEMPERATURĂ / TIMP)
- 5) Setarea de descreștere (TEMPERATURĂ / TIMP)

Pregătire înainte de prima utilizare

- Verificați aparatul să nu prezinte avarii. În caz de defecte, contactați furnizorul dumneavoastră imediat și NU utilizați aparatul.
- Despachetați aparatul cu atenție și îndepărtați ambalajul de protecție și învelitoarea. Aveți grijă ca pe aparat să nu rămână resturi de ambalaj.
- Verificați materialele livrate pentru a depista piese lipsă (10 tăvi din oțel inoxidabil pentru articol nr 229026; 6 tăvi din oțel inoxidabil pentru articol nr 229033, plasă, placă de fund) și eventualele deteriorări din timpul transportului. În cazul în care s-au produs stricăciuni în timpul transportului sau lipsesc piese, luați imediat legătura cu furnizorul.
- Curățați incinta, tăvi din oțel inoxidabil, placa de

- fund cu op cârpă moale umedă și un detergent slab. (Consultați ==> Curățarea și Întreținerea). Asigurați-vă că toate componentele aparatului sunt complet uscate înainte de a-l porni.
- Amplasați aparatul pe o suprafață orizontală stabilă, curată și rezistentă la foc.
- Asigurați menținerea unui spațiu liber de cel puțin 15 cm în jurul aparatului pentru o ventilație adecvată.
- Poziționați aparatul în așa fel încât ștecărul să fie accesibil în orice moment.
- Montați placa de fund care să rețină orice resturi alimentare produse în timpul funcționării.
- Adăugați o sită pe grilajul din oțel inoxidabil pentru alimente de dimensiuni mici.

Notă: După ce ați curățat aparatul, porniți-l (Consultați ==> Modul de utilizare) timp de aproximativ 30 de minute, cu temperatura setată la 75°C. În timpul primelor cicluri de funcționare se poate degaja puțin miros sau fum. Acest lucru este normal și nu este un semn de defecțiune sau de pericol. Asigurați-vă că aparatul este bine ventilat.

Instrucțiuni de pregătire a alimentelor

- Alimentele trebuie spălate bine înainte de a fi deshidratate, din motive de siguranță și de igienă.
- Prelucrați doar alimente nealterate, iar toate porțiunile afectate trebuie înlăturate.
- Rezultatele deshidratării vor fi mai uniforme dacă alimentele sunt tăiate în bucăți de aproximativ aceeași dimensiune.



- Pentru a reduce timpul de uscare, tăiați alimentele în felii sau bucăți subțiri.
- Alimentele preparate trebuie uscate printr-un proces continuu. Nu întrerupeți procesul de deshidratate.

Durata aproximativă a deshidratării și instrucțiuni de preparare a anumitor alimente

Timpul necesar pentru deshidratate depinde în mare măsură de alimentele care trebuie uscate, de conținutul de apă al acestora, de gradul de

coacere, de grosime, de temperatura setată și de umiditatea din incinta aparatului.

Depozitarea alimentelor deshidratate

- Lăsați alimentele deshidratate să se usuce bine înainte de a le depozita. Verificați, de asemenea, ca aceste alimente să fie complet uscate. Acest lucru este esențial pentru o depozitare adecvată.
- Pentru a preveni deteriorarea, alimentele deshidratate trebuie ferite de umezeală în timpul depozitării. Prin urmare, toate cutiile de tablă,

borcanele sau pungile de plastic folosite pentru depozitare trebuie să fie bine etanșate. Ambalarea în vid ar fi o metodă adecvată de depozitare.

- Alimentele deshidratate trebuie depozitate în spații uscate, răcoroase și curate pentru a putea fi păstrate un timp îndelungat.

Modul de utilizare

- Amplasați aparatul pe o suprafață orizontală stabilă, aderentă și rezistentă la căldură.
- Alimentele trebuie dispuse uniform pe tăvi, având grijă să nu se suprapună. Pentru a se obține o bună ventilație în interiorul aparatului, 10% din suprafața tăvilor trebuie să rămână liberă, necoperită de alimente.
- Scoateți toate tăvile care nu se folosesc. Simultan pot fi folosite în total zece tăvi.
- Atunci când introduceți tăvile asigurați-vă că acestea sunt corect aliniate. După aceasta, închideți bine ușa.

- Apoi introduceți ștecărul într-o priză electrică adecvată; aparatul va intra în regim de AȘTEPTARE. Se aude un sunet de avertizare, iar butonul PORNIT / OPRIT se va aprinde în culoarea albastră, iar afișajul cu leduri va arăta " 0000 " în culoarea alb.
- Apăsăți butonul de PORNIRE / OPRIRE, iar afișajul cu leduri va arăta timpul implicit „10:00” (10 ore). Toate butoanele de pe panoul de comandă se vor aprinde în albastru.

Setarea timpului:

- Acum puteți apăsa butonul + sau - pentru a prelunge sau a scurta timpul de funcționare. (Intervalul: 00:30 ~ 24:00, în trepte de 30 de minute).
- Timpul setat va fi memorat automat, în câteva secunde.

- Apoi aparatul va porni, iar timpul rămas va fi indicat pe afișajul cu leduri. Ventilatorul din spatele aparatului va începe să se rotească.

Setarea temperaturii:

- Apăsăți o dată butonul TEMP / TIME pentru a verifica temperatura setată; puteți apăsa și butonul + sau - pentru a crește sau a scădea temperatura setată. (Temperatura implicită: 70°C, intervalul: 35°C ~ 75°C, intervalul este 5°C).
- Temperatura setată va fi memorată automat în câteva secunde și va reveni la afișarea timpului rămas pe afișajul cu leduri.

- Dacă vreți să verificați temperatura setată apăsați o dată butonul TEMP / TIME și afișajul cu leduri va arăta temperatura setată.
- În timpul funcționării puteți controla sau schimba temperatura setată apăsând butonul TEMP / TIME. Apoi apăsați butonul + sau - pentru a crește sau coborî valoarea setată a temperaturii sau timpului.



Comutați aparatul în regimul de AȘTEPTARE

- Apăsați butonul PORNIT / OPRIT pentru a intra în regimul de AȘTEPTARE. Toate butoanele se vor stinge cu excepția butonului PORNIT / OPRIT. Afișajul cu leduri va arăta " 0000 " în culoarea alb.

Încheierea perioadei de timp setate

- În momentul în care cronometrul aparatului ajunge la 00:00, elementul de încălzire este primul care se oprește. Ventilatorul va continua să funcționeze timp de aproximativ 10 secunde și se vor auzi 20 de „sunete de avertizare” pentru a atrage atenția utilizatorului că operația s-a încheiat.
- Pe afișajul cu leduri va apărea „End”, iar aparatul intră în regim de AȘTEPTARE.
- Scoateți aparatul din priză și puneți-vă mănuși (nu sunt incluse) dacă trebuie să scoateți alimentele.

Curățare și Întreținere

Atenție: Scoateți întotdeauna aparatul din priză și lăsați-l să se răcească complet înainte de curățare.

Curățare

- Curățați interiorul și exteriorul aparatului, tăvile, placa de fund și ușa cu apă caldă, un detergent slab și o cârpă moale. Nu curățați ventilatorul.
- Ușcați toate piesele cu o cârpă uscată înainte de a depozita aparatul.
- Ventilatorul se curăță din când în când cu un aspirator.
- Notă! Pentru a evita avarierea aparatului, nu îl curățați cu substanțe chimice agresive sau materiale abrazive

Depozitare

- Asigurați-vă întotdeauna înainte de depozitare că aparatul a fost deconectat de la sursa de alimentare și s-a răcit complet.
- Depozitați aparatul într-un loc răcoros, curat și uscat, fără a fi la îndemâna copiilor.

Depanare

Dacă aparatul nu funcționează corespunzător, consultați tabelul de mai jos pentru a găsi soluția. Vă rugăm contactați distribuitorul/agentul de service în cazul în care problema nu poate fi rezolvată.

Problemă	Cauză posibilă	Soluție
Comutatorul Pornit/Oprit nu luminează roșu	Nu este alimentat cu electricitate	Verificați dacă, în această situație, cablul de alimentare este conectat la priza de electricitate
	Comutatorul este defect	Contactați furnizorul
Camera aparatului nu se încălzește	Elementul termic, termostatul sau ventilatorul poate fi defect	Contactați furnizorul
Camera se încălzește prea mult	Elementul termic sau termostatul poate fi defect	Contactați furnizorul
Deshidratarea durează prea mult	Condiții de umiditate	Amplasați aparatul într-un mediu cu umiditate mai scăzută
	Elementul termic, ventilatorul sau termostatul este defect	Contactați furnizorul

Specificația tehnică

Articol nr.	229026	229033
Tensiune și frecvență de funcționare	220- 240V- 50-60Hz	
Puterea nominală de intrare	900 - 1100W	550 - 650W
Intervalul de setare a temperaturii	35°C ~ 75°C	
Intervalul de setare a cronometrului	de la 30 de minute până la 24 h	
Clasa de protecție	Clasa I	
Nr. Rafturi	10	6
Dimensiune	417x535x(H)430 mm	340x450x(H)311 mm

Observație: Specificația tehnică poate fi modificată fără preaviz.

Garanție

Orice defecțiune care afectează funcționarea aparatului apărută la mai puțin de un an de la cumpărarea acestuia va fi remediată prin reparație sau înlocuire gratuită, cu condiția ca aparatul să fi fost folosit și întreținut conform instrucțiunilor nu să nu fi fost bruscat sau folosit necorespunzător în vreun fel. Drepturile dumneavoastră legale nu sunt afec-

tate. Dacă aparatul este în garanție, menționați când și de unde a fost cumpărat și includeți dovada cumpărării (de ex. chitanța).

Conform politicii noastre de dezvoltare continuă a produsului, ne rezervăm dreptul de a modifica produsul, ambalajul și documentația fără notificare.

Eliminarea și mediul înconjurător

La dezafectarea aparatului, produsul nu trebuie aruncat împreună cu alte deșeuri menajere. În schimb, este responsabilitatea dumneavoastră să eliminați echipamentul uzat prin predarea acestuia la un punct de colectare desemnat. Nerespectarea acestei reguli poate fi penalizată în conformitate cu reglementările aplicabile privind eliminarea deșeurilor. Colectarea separată și reciclarea echipamentului dumneavoastră uzat la momentul debarasării contribuie la conservarea resurselor na-


turale și asigură realizarea reciclării într-un mod care protejează sănătatea ființelor umane și a mediului. Pentru informații suplimentare privind modul în care puteți preda deșeurile dumneavoastră în scopul reciclării, vă rugăm să contactați compania locală de colectare a deșeurilor. Producătorii și importatorii nu își asumă responsabilitatea cu privire la reciclarea, tratarea și eliminarea ecologică a deșeurilor, fie direct, fie prin intermediul unui sistem public.

RO




Большое Вам спасибо за то, что Вы купили оборудование фирмы Hendi. Вам следует внимательно прочитать настоящую инструкцию пользователя во избежание повреждения машины в результате неправильной эксплуатации. Особенно рекомендуем ознакомиться с предупреждениями.

Правила техники безопасности

- Неправильная эксплуатация и неподходящее использование агрегата может привести к его поломке и поранить оператора.
- Это оборудование предназначено только для коммерческого использования.
- Оборудование следует использовать точно по назначению. Производитель не несет ответственности за повреждения, вызванные неправильной эксплуатацией или неправильным обслуживанием оборудования.
- Оборудование и электрическую штепсельную вилку следует держать вдали от воды и прочих жидкостей. Если штепсельная вилка попадет в воду, ее следует тут же вытащить из розетки электропитания и обратиться в службу сертифицированного сервиса для проверки устройства. Несоблюдение данных указаний может повлечь за собой угрозу здоровью и жизни обслуживающего персонала.
- Нельзя снимать кожух без особого разрешения.
- Нельзя класть никаких посторонних предметов вовнутрь агрегата.
- Нельзя касаться мокрыми, или влажными руками штепсельной вилки.
-  **Опасность поражения током!** Не следует самостоятельно чинить электроаппаратуру. Любые поломки и неисправности должны устраняться квалифицированным персоналом.
- **Никогда не следует пользоваться поврежденной электроаппаратурой.** Поврежденное устройство нужно отсоединить от электросети и обратиться к продавцу.
- **Предупреждение:** не следует погружать электрических деталей в воду, или иные жидкости. Не омыwać в струе воды.
- Регулярно проверять вилку и провод электропитания на предмет повреждений. Поврежденные вилку или провод передать для ремонта в сервисную точку, или обратиться к квалифицированному электрику во имя предотвращения опасности травм.
- Удостовериться, что провод электропитания не касается острых и горячих предметов; держать электропровод вдали от открытого огня. Для того, чтобы вынуть вилку из розетки всегда нужно тянуть за вилку, а не за электропровод.
- Защитить провод электропитания (удлинитель) от случайного выпадения из розетки. Электропровод прокладывать так, чтобы случайно не зацепиться за него.
- Непрестанно наблюдать за работающей электроаппаратурой.
- **Предупреждение!** Если вилка находится в розетке – это означает, что электроаппаратура считается подключенной к электропитанию.
- Перед тем, как вынуть вилку из розетки, электроаппаратуру следует выключить!
- Никогда нельзя переносить, передвигать электроаппаратуру держа за электропровод.
- Не использовать никаких деталей, аксессуаров, которые не поставляются вместе с этой электроаппаратурой.

- Электроаппаратуру следует подключать исключительно к розетке, в которой имеется напряжение и частоту, указанную на щитке электроаппаратуры.
- Вилку следует вставлять в розетку, расположенную в удобном и легкодоступном месте, так чтобы в случае аварии можно бы ее немедленно вынуть. Для полного обеспечения электроаппаратуры ее следует отсоединить от электропитания; для этого следует вынуть вилку, находящуюся на конце провода электропитания, из розетки.
- Перед тем, как вынуть вилку всегда следует помнить о том, чтобы сначала выключить электроаппаратуру!
- Не следует использовать детали, аксессуары, не рекомендуемые производителем данной электроаппаратуры, т.к. использование таких деталей, аксессуаров может создать для пользователя угрозу его здоровью и жизни, а также может привести к поломке электроаппаратуры. Следует всего использовать оригинальные детали, аксессуары.
- Без надлежащего контроля или предварительного обучения эксплуатации оборудования проводимого лицом, отвечающим за безопасную эксплуатацию, оборудованием не могут пользоваться ни дети, ни лица с ограниченными физическими, или психическими возможностями, ни лица, которые не обладают необходимым опытом работы и знаниями в данной области.
- Ни в коем случае нельзя допускать к использованию электроаппаратуры детей.
- Электроаппаратуру следует хранить в месте недоступном для детей.
- Нельзя разрешать детям использовать электроаппаратуру в качестве игрушки.
- Всегда электроаппаратуру следует отсоединить от электропитания, если оставляем ее без надзора, перед монтажом, демонтажем и чисткой.
- Нельзя оставлять работающую электроаппаратуру без надзора.

Специальные правила техники безопасности

- Используйте устройство согласно указаниям, содержащимся в руководстве.
- Устройство должно устанавливаться и эксплуатироваться только квалифицированным персоналом кухни на предприятиях общественного питания, например, таких как кейтеринговые услуги, рестораны, бары и т. п.
- Все работы по техническому обслуживанию, монтажу и ремонту должны выполняться квалифицированными уполномоченными техническими специалистами.
-  **Внимание! Горячая поверхность!** Опасность ожогов! Не прикасайтесь к устройству во время работы - температура поверхности, доступная пользователю, может быть очень высокая.
- Не устанавливайте устройство на объекте, излучающем тепло (газовой, электрической плите, гриле и т. п.). Держите устройство вдали от любых горячих поверхностей или открытого пламени. Поместите устройство на ровную, стабильную, чистую и сухую поверхность, стойкую к высоким температурам.
- Не пользуйтесь устройством вблизи взрывоопасных или легковоспламеняющихся материалов, кредитных карт, магнитных дисков или радиоприемников.
- Не ставьте на устройство тяжелые предметы.



- Никогда не закрывайте устройство или его вентиляционные отверстия другими предметами (например, кухонным полотенцем).
- **Внимание!** Правильно направьте и закрепите шнур питания, чтобы предотвратить случайное вытягивание или контакт с нагревательной плитой.
- Не мойте устройство водой или с помощью прямой струи воды. При мойке устройства вода может попасть в электрические детали и вызвать поражение электрическим током. Детали устройства нельзя мыть в посудомоечной машине.
- Не чистите и не помещайте устройство на хранение, пока оно полностью не остынет.
- Сохраняйте особенную осторожность во время перенесения устройства из-за его веса. Устройство должны переносить 2 человека или перемещать с помощью тележки.

Назначение устройства

- Устройство предназначено для профессионального использования.
- Данное устройство предназначено только для сушки определенных продуктов, таких как овощи, фрукты и т. д. Использование устройства для любых других целей может привести к повреждению или травме тела.
- Использование устройства для любых других целей будет рассматриваться, как использование не по назначению. Пользователь будет нести исключительную ответственность за неправильное использование устройства.

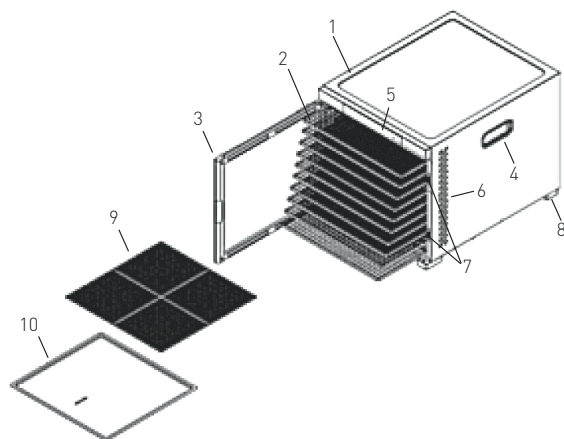
Монтаж заземления

Плита является устройством I класса защиты и должна быть заземлена. Заземление снижает риск поражения электрическим током за счет использования отводящего провода. Вилка

должна быть подключена к розетке переменного тока, которая надлежащим образом установлена и заземлена.

Основные части устройства

- 1) Металлический корпус
- 2) Полки из нержавеющей стали (x 10 для номер продукта 229026; x 6 для номер продукта 229033)
- 3) Дверца
- 4) Держатели (x2)
- 5) Панель управления
- 6) Вентиляционные отверстия
- 7) Намагнитенные стержни (x2)
- 8) Ножки (x4)
- 9) Сетка (x1)
- 10) Лоток (x1)

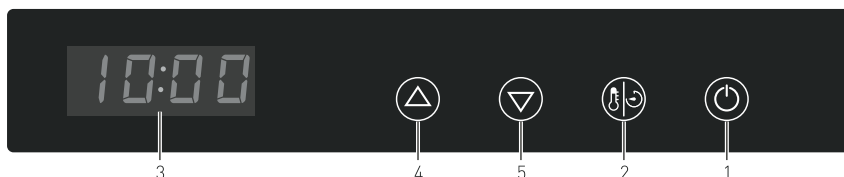


Панель управления

Номер продукта: 229026



Номер продукта: 229033



- | | |
|---|--|
| 1) Переключатель (ON/OFF) | 4) Увеличение значения температуры / времени (TEMP/TIME) |
| 2) Кнопка температуры/установки времени (TEMP/TIME) | 5) Уменьшение значения температуры / времени (TEMP/TIME) |
| 3) Светодиодный дисплей | |

Перед первым использованием:

- Убедитесь, что устройство не повреждено. В случае любых повреждений свяжитесь с поставщиком и НЕ включайте устройство.
- Осторожно распакуйте устройство, снимите и уберите упаковку и защиты. Убедитесь, что на устройстве не остались фрагменты упаковки.
- Проверьте содержимое комплекта поставки (10 полки из нержавеющей стали для Номер продукта 229026; 6 полки из нержавеющей стали для Номер продукта 229033, сетка, лоток) и, что детали не повредились во время транспортировки. В случае обнаружения любых повреждений, вызванных транспортировкой или нехваткой, немедленно свяжитесь с поставщиком.
- Очистите корпус, полки и поддон влажной мягкой тканью с мягким моющим средством. (См. три ==> Очистка и техническое обслуживание)

Перед использованием убедитесь, что все его детали полностью сухие.

- Поместите устройство на горизонтальной, стабильной, чистой и огнестойкой поверхности.
- Убедитесь, что вокруг сушилки имеется 15 см пространства для обеспечения надлежащей вентиляции.
- Поместите устройство в таком месте, чтобы обеспечить легкий доступ к штепсельной вилке.
- На дне устройства поместите лоток для небольших фрагментов продуктов, оставшихся после сушки.
- Используйте сетку из нержавеющей стали для мелких продуктов.

Примечание: После очистки устройства включите его (смотри ==> Эксплуатация) на около 30 минут и установите температуру 75°C. При первых нескольких запусках из устройства может выделяться специфический запах или дым. Это нормальное явление и не указывает на повреждение устройства или опасность для пользователя. Убедитесь, что устройство хорошо вентилируется.

RU



Советы по приготовлению пищи

- Для безопасного и гигиеничного приготовления пищи, тщательно промойте пищу перед ее установкой в сушилку.
- Не помещайте в сушилку испорченную пищу – гнилые фрагменты пищи необходимо удалить.
- Процесс сушения будет более равномерным, если фрукты или овощи, помещенные в сушилку, будут нарезаны на равные части.
- Время сушения будет тем короче, чем меньше или тоньше будут кусочки овощей или фруктов.
- Пища в устройстве будет подвергаться непрерывному процессу сушки. Никогда не прерывайте процесс сушки, запущенный устройством.

Подходящее время для сушки и советы для различных овощей и фруктов

Время сушки в значительной степени зависит от вида сушёной пищи - содержания воды,

зрелости, толщины, температуры и влажности внутри камеры.

Хранение сушеных продуктов

- Высушенную пищу оставьте до полного охлаждения. Также убедитесь, что она полностью сухая. Эти действия имеют решающее значение для правильного хранения продуктов.
- Чтобы предотвратить порчу пищи, во время хранения сушеные овощи или фрукты не должны впитывать влагу. В связи с этим, все банки и стеклянные или пластиковые контейнеры, в которых будет храниться высушенная пища, должны быть плотно закрыты. Лучшим в этом случае было бы вакуумное хранение.
- Сушеные продукты следует хранить в сухом, прохладном и чистом помещении - такие условия гарантируют длительное хранение высушенных продуктов.

RU

Обслуживание

- Поместите устройство на горизонтальном, стабильном, нескользящем и огнестойком основании.
- Равномерно распределите пищу на лотках так, чтобы её отдельные части не перекрывались. Чтобы поддерживать надлежащую вентиляцию внутри устройства, на 10% поверхности полок не должно быть пищи.
- Пустые полки следует удалить из сушилки. В то же время, в устройстве могут находиться 10 полок.
- При вложении полок в сушилку убедитесь, что они правильно размещены относительно боковых стенок. Плотно закройте дверцу.
- Затем подключите вилку в подходящую электрическую розетку - устройство находится в режиме ожидания (STANDBY). Раздастся звуковой сигнал; переключатель (ON / OFF) будет подсвечен синим цветом, а на светодиодном дисплее LED появится „0000“ белого цвета.
- Нажмите переключатель (ON/OFF), чтобы начать работу – на дисплее отобразится значение времени по умолчанию „10:00“ (10 часов). Все кнопки на панели управления будут подсвечены синим цветом.

Установка времени:

- С помощью кнопок „+“ или „-“ можно увеличить или уменьшить время сушки. (Диапазон: от 00:30 до 24:00, с получасовым интервалом).
- Установленное время будет автоматически сохраняться несколько секунд.
- Устройство начнет работать - оставшееся время сушки будет отображаться на светодиодном дисплее. Запустится вентилятор, расположенный на задней панели устройства.



Установка температуры:

- Нажмите кнопку TEMP/TIME один раз, чтобы проверить текущую настройку температуры. Чтобы уменьшить или увеличить настройку температуры, нажмите кнопки „+“ или „-“.
(Температура по умолчанию: 70 ° C, диапазон: от 35 ° C до 75 ° C, установка каждые 5°C).
- Установленная температура будет автоматически записана после нескольких секунд, после чего на светодиодном дисплее снова будет отображаться оставшееся время сушки.
- Чтобы проверить значение заданной температуры, нажмите кнопку TEMP / TIME один раз - заданная температура появится на светодиодном дисплее.
- Вы можете изменить установку времени или температуры во время работы устройства, нажав кнопку TEMP/TIME. Затем, используя кнопки «+» или «-» Вы можете продлить или сократить время сушки или значение температуры.

Переход в режим ожидания (STANDBY)

- Нажмите на кнопку (ON/OFF), чтобы переключить устройство в режим ожидания. Все кнопки погаснут за исключением переключателя (ON/OFF). На светодиодном дисплее появится „0000“ белого цвета.

Окончание отсчета оставшегося времени

- Когда установленное время достигнет значения 00:00, сначала отключатся нагревательные элементы. Вентилятор отключится примерно через 10 секунд и раздастся двадцатикратный звуковой сигнал, информирующий пользователя о том, что сушка закончилась.
- На светодиодном дисплее появится сообщение „END“ (Конец) и устройство перейдет в режим ожидания.
- Отсоедините кабель питания; если необходимо, при удалении пищи из устройства используйте перчатки (не входят в комплект).

Очистка и техническое обслуживание

Примечание: Перед тем, как начать очистку, всегда отключайте устройство от сети и дождитесь, пока оно остынет.

Очистка

- Внутренние и внешние поверхности устройства, полки, лоток и дверцу мойте мягкой тканью, смоченной в теплой воде с мягким моющим средством. Не мойте вентилятор.
- Перед тем, как убрать сушилку, все её детали протрите сухой тканью.
- Периодически очищайте вентилятор пылесосом.
- Внимание! Никогда не чистите устройство агрессивными химическими или абразивными средствами, поскольку они могут повредить поверхность сушилки.

Хранение

- Перед установкой сушилки на хранение всегда следите за тем, чтобы она была отсоединена от розетки и полностью остыла.
- Храните устройство в прохладном, чистом и сухом месте недоступном для детей.



Поиск и устранение неисправностей

Если устройство не работает должным образом, обратитесь к приведенной ниже таблице, чтобы найти правильное решение. Если вы не можете решить проблему, обратитесь к поставщику.

Проблема	Возможная причина	Решение
Кнопка включения / выключения не светится красным цветом	Отсутствует питание	Убедитесь, что вилка правильно подключена к розетке.
	Неисправность переключателя	Свяжитесь с поставщиком
Камера не нагревается	Неисправность нагревательного элемента, термостата или вентилятора	Свяжитесь с поставщиком
Камера нагревается до слишком высокой температуры	Неисправность нагревательного элемента или термостата	Свяжитесь с поставщиком
Сушка длится слишком долго	Слишком влажная среда	Поместите устройство в менее влажную среду
	Неисправность нагревательного элемента, термостата или вентилятора	Свяжитесь с поставщиком

Технические характеристики

Номер продукта	229026	229033
ОРабочее напряжение и частота	220- 240В~ 50-60Гц	
Расход потребляемой мощности	900 - 1100Вт	550 - 650Вт
Диапазон температуры	35°C ~ 75°C	
Диапазон времени сушки	от 30 минут до 24 часов	
Степень защиты	I Класс	
№ полок	10	6
Размеры	417x535x(выс.)430 мм	340x450x(выс.)311 мм

Примечание. Технические характеристики могут быть изменены без уведомления.

Гарантия

Любая неполадка или поломка, которая влечет за собой неправильную работу устройства, которая будет выявлена в течение первого года от даты покупки, будет устранена бесплатно, или же все устройство будет заменено новым, если оно эксплуатировалось и обслуживалось согласно инструкции по обслуживанию и не использовалось неправильно, или в разрез с назначением. Данное положение ни коим образом не нарушает иных прав потребителя, изложенных в законо-

дательстве. В случае заявления устройства в ремонт или на замену в рамках гарантии, следует указать место и дату покупки устройства и приложить счет, или чековую квитанцию.

Согласно нашей политике совершенствования наших продуктов оставляем за собой право на ввод изменений в конструкцию, упаковку и в технические параметры, указываемые в технической документации без предупреждения.



Утилизация и защита окружающей среды

В случае вывода оборудования из эксплуатации, продукт нельзя утилизировать вместе с другими бытовыми отходами. Пользователь несет ответственность за передачу оборудования в соответствующий пункт приёма техники бывшей в употреблении. Несоблюдение вышеуказанного положения может привести к наложению штрафов в соответствии с действующими правилами в отношении утилизации отходов. Селективный сбор и утилизация использованного оборудования способствуют сохранению природных

ресурсов и обеспечивают рециркуляцию таким образом, который не вреден для здоровья и окружающей среды. Для получения дополнительной информации о том, где можно отдать использованное оборудование для утилизации, обратитесь в местную компанию по сбору отходов. Производитель и импортер не несут ответственности за рециркуляцию и переработку отходов экологически безопасным способом, как непосредственно, так и в рамках государственной системы.




Ευχαριστούμε που αγοράσατε αυτό το προϊόν HENDI. Διαβάστε προσεκτικά το παρόν εγχειρίδιο πριν συνδέσετε τη συσκευή, προκειμένου να προλάβετε πιθανή βλάβη που μπορεί να οφείλεται σε λανθασμένη χρήση. Διαβάστε ιδίως τους κανονισμούς ασφαλείας πολύ προσεκτικά.

Κανονισμοί ασφαλείας

- Η συσκευή προορίζεται μόνο για επαγγελματική χρήση.
- Η συσκευή πρέπει να χρησιμοποιείται μόνο για τον σκοπό για τον οποίο προορίζεται και σχεδιάστηκε. Ο κατασκευαστής δεν ευθύνεται για τυχόν ζημιές που προκλήθηκαν από εσφαλμένη λειτουργία και ακατάλληλη χρήση.
- Κρατήστε τη συσκευή και το βύσμα μακριά από νερό και άλλα υγρά. Σε περίπτωση που η συσκευή πέσει μέσα σε νερό, αφαιρέστε αμέσως το βύσμα από την πρίζα και μην τη χρησιμοποιήσετε μέχρι να ελεγχθεί η συσκευή από πιστοποιημένο τεχνικό. Η μη τήρηση των οδηγιών ενδέχεται να προκαλέσει κίνδυνο προς τη ζωή.
- Μην επιχειρήσετε ποτέ να ανοίξετε μόνοι σας το περίβλημα της συσκευής.
- Μην εισάγετε αντικείμενα στο περίβλημα της συσκευής.
- Μην αγγίζετε το βύσμα με υγρά χέρια.
- ⚡ **Κίνδυνος ηλεκτροπληξίας!** Μην επιχειρήσετε να επισκευάσετε μόνοι σας τη συσκευή. Σε περίπτωση δυσλειτουργίας, οι επισκευές πρέπει να διενεργούνται μόνο από εξειδικευμένο προσωπικό.
- **Μην χρησιμοποιείτε ποτέ συσκευή με βλάβη!** Σε περίπτωση βλάβης, αποσυνδέστε τη συσκευή από την πρίζα και επικοινωνήστε με τον πωλητή.
- **Προειδοποίηση!** Μην βυθίζετε τα ηλεκτρικά μέρη της συσκευής σε νερό ή άλλα υγρά. Μην βάζετε ποτέ τη συσκευή κάτω από τρεχούμενο νερό.
- Ελέγχετε τακτικά το βύσμα και το καλώδιο τροφοδοσίας για τυχόν ζημιές. Εάν το βύσμα ή το καλώδιο τροφοδοσίας είναι κατεστραμμένο, πρέπει να αντικατασταθεί από τεχνικό σέρβις ή εξειδικευμένα άτομα για την αποφυγή τυχόν κινδύνου ή τραυματισμού.
- Βεβαιωθείτε ότι το καλώδιο δεν έρχεται σε επαφή με αιχμηρά ή θερμά αντικείμενα και κρατήστε το μακριά από φωτιά. Για να βγάλετε το βύσμα από την πρίζα, να τραβάτε πάντα το βύσμα και όχι το καλώδιο.
- Βεβαιωθείτε ότι το καλώδιο (ή το καλώδιο επέκτασης) είναι τοποθετημένο έτσι ώστε να μην προκαλέσει κίνδυνο να σκοντάψει κανείς.
- Να προσέχετε πάντα τη συσκευή κατά τη χρήση.
- **Προειδοποίηση!** Όσο το βύσμα είναι στην πρίζα, η συσκευή είναι συνδεδεμένη στην πηγή τροφοδοσίας.
- Απενεργοποιήστε τη συσκευή πριν τραβήξετε το βύσμα από την πρίζα.
- Ποτέ μην μεταφέρετε τη συσκευή από το καλώδιο.
- Μην χρησιμοποιείτε συσκευές που δεν παρέχονται μαζί με τη συσκευή.
- Συνδέστε τη συσκευή μόνο σε ηλεκτρική πρίζα με τάση και συχνότητα που αναφέρονται στην ετικέτα της συσκευής.

- Συνδέστε το βύσμα σε μια εύκολα προσβάσιμη ηλεκτρική πρίζα έτσι ώστε σε περίπτωση έκτακτης ανάγκης η συσκευή να μπορεί να αποσυνδεθεί αμέσως. Για να απενεργοποιήσετε πλήρως τη συσκευή, βγάλτε το βύσμα από την πρίζα.
- Απενεργοποιείτε πάντα τη συσκευή πριν αποσυνδέσετε το βύσμα.
- Μην χρησιμοποιείτε ποτέ εξαρτήματα διαφορετικά από αυτά που συνιστώνται από τον κατασκευαστή. Σε αντίθετη περίπτωση, μπορεί να δημιουργηθεί κίνδυνος για τον χρήστη και να προκληθεί ζημιά στη συσκευή. Χρησιμοποιείτε μόνο αυθεντικά εξαρτήματα και αξεσουάρ.
- Αυτή η συσκευή δεν προορίζεται για χρήση από άτομα (συμπεριλαμβανομένων παιδιών) με μειωμένες σωματικές, αισθητήριες ή διανοητικές ικανότητες ή με έλλειψη πείρας και γνώσης.
- Αυτή η συσκευή δεν πρέπει, σε καμία περίπτωση, να χρησιμοποιείται από παιδιά.
- Κρατήστε τη συσκευή και το καλώδιο μακριά από παιδιά.
- Να αποσυνδέετε πάντα τη συσκευή από το ρεύμα εάν αφήνεται χωρίς επιτήρηση ή δεν χρησιμοποιείται και πριν από εργασίες συναρμολόγησης, αποσυναρμολόγησης ή καθαρισμού.
- Μην αφήνετε ποτέ τη συσκευή χωρίς επιτήρηση ενώ βρίσκεται σε λειτουργία.

Ειδικοί κανονισμοί ασφαλείας

- Χρησιμοποιείτε τη συσκευή όπως περιγράφεται στο εγχειρίδιο.
- Η συσκευή πρέπει να χρησιμοποιείται και να τοποθετείται από εξειδικευμένο, εκπαιδευμένο προσωπικό κουζινών του κλάδου της εστίασης, όπως υπηρεσίες τροφοδοσίας, εστιατόρια, μπαρ κλπ.
- Όλες οι εργασίες συντήρησης, εγκατάστασης και επισκευής πρέπει να εκτελούνται από εξειδικευμένους και εξουσιοδοτημένους τεχνικούς.
-  **Προσοχή! Καυτή επιφάνεια. Κίνδυνος εγκαυμάτων!** Μην αγγίζετε τη συσκευή ενώ βρίσκεται σε λειτουργία καθώς η θερμοκρασία που αναπτύσσεται στις προσβάσιμες επιφάνειες είναι πολύ υψηλή.
- Μην τοποθετείτε τη συσκευή επάνω σε αντικείμενα θέρμανσης (ηλεκτρικό φούρνο, ψησταριά κλπ). Διατηρείτε τη συσκευή μακριά από θερμές επιφάνειες και ανοικτές φλόγες. Χρησιμοποιείτε πάντα τη συσκευή επάνω σε επίπεδη, σταθερή, καθαρή, στεγνή και ανθεκτική στη θερμότητα επιφάνεια.
- Μην χρησιμοποιείτε τη συσκευή κοντά σε εκρηκτικά ή εύφλεκτα υλικά, πιστωτικές κάρτες, μαγνητικούς δίσκους ή ραδιόφωνα.
- Μην τοποθετείτε αντικείμενα επάνω στη συσκευή.
- Μην καλύπτετε ποτέ τη συσκευή ή τις οπές εξαερισμού της με άλλα αντικείμενα (π.χ. πανιά).
- **Προσοχή!** Στερεώστε, εάν είναι απαραίτητο, το καλώδιο τροφοδοσίας για να αποφύγετε τυχόν ακούσιο τράβηγμα ή επαφή με καυτή επιφάνεια.
- Μην πλένετε τη συσκευή με νερό ή εκτοξευτήρα νερού. Το πλύσιμο με νερό μπορεί να προκαλέσει διαρροές και να αυξήσει τον κίνδυνο ηλεκτροπληξίας. Τα εξαρτήματα δεν είναι κατάλληλα για πλυντήριο πιάτων.
- Μην καθαρίζετε ή αποθηκεύετε τη συσκευή εάν δεν έχει κρυώσει τελείως.



- Πρέπει να δίνετε ιδιαίτερη προσοχή κατά τη μετακίνηση ή τη μεταφορά της συσκευής λόγω του μεγάλου βάρους της. Η συσκευή πρέπει να μεταφέρεται από τουλάχιστον 2 άτομα ή με χρήση τροχήλατου.

Προβλεπόμενη χρήση

- Η συσκευή προορίζεται για επαγγελματική χρήση.
- Αυτή η συσκευή έχει σχεδιαστεί μόνο για την αποξήρανση τροφίμων όπως λαχανικά, φρούτα κλπ. Οποιαδήποτε άλλη χρήση μπορεί να προκαλέσει ζημιά στη συσκευή ή τραυματισμό.
- Η χρήση της συσκευής για οποιονδήποτε άλλο σκοπό θεωρείται εσφαλμένη. Ο χρήστης είναι αποκλειστικά υπεύθυνος για την μη κατάλληλη χρήση της συσκευής.

Γείωση

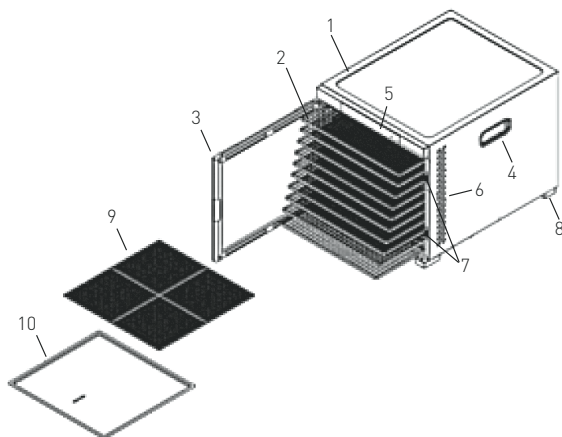
Αυτή η συσκευή ταξινομείται στην κλάση προστασίας Ι και πρέπει να συνδέεται με γείωση προστασίας.

Η γείωση μειώνει τον κίνδυνο ηλεκτροπληξίας παρέχοντας ένα καλώδιο διαφυγής για το ηλεκτρικό

ρεύμα. Αυτή η συσκευή είναι εξοπλισμένη με καλώδιο που φέρει καλώδιο γείωσης με βύσμα γείωσης. Το βύσμα πρέπει να είναι συνδεδεμένο σε σωστά τοποθετημένη και γειωμένη πρίζα.

Βασικά εξαρτήματα της συσκευής

- 1) Μεταλλικό περίβλημα
- 2) Δίσκων από ανοξείδωτο χάλυβα (x 10 για το αρ. είδους 229026; x 6 για το αρ. είδους 229033)
- 3) Πόρτα
- 4) Λαβή (x2)
- 5) Πίνακας ελέγχου
- 6) Οπές εξαερισμού
- 7) Μαγνητική ράβδος (x2)
- 8) Στήριγμα (x4)
- 9) Φίλτρο (x1)
- 10) Δίσκος συλλογής (x1)

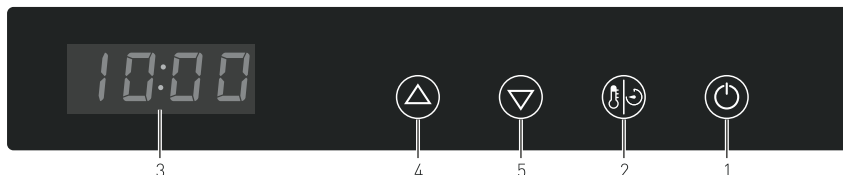


Πίνακας ελέγχου της συσκευής

Αρ. είδους: 229026



Αρ. είδους: 229033



1) Κουμπι ON/OFF

2) Κουμπι TEMP / TIME

3) Οθόνη LED

4) Κουμπι αύξησης (TEMP / TIME)

5) Κουμπι μείωσης (TEMP / TIME)

Προετοιμασία πριν από την πρώτη χρήση

- Ελέγξτε τη συσκευή για τυχόν ζημιές. Σε περίπτωση ζημιάς, επικοινωνήστε αμέσως με τον προμηθευτή σας και ΜΗΝ χρησιμοποιήσετε τη συσκευή.
- Αφαιρέστε προσεκτικά όλη την προστατευτική συσκευασία από τη συσκευή. Βεβαιωθείτε ότι δεν έχουν απομείνει υλικά συσκευασίας στη συσκευή.
- Ελέγξτε τα περιεχόμενα για να βεβαιωθείτε ότι δεν λείπει κάποιο εξάρτημα (10 δίσκων από ανοξείδωτο χάλυβα για το αρ. είδους 229026; 6 δίσκων από ανοξείδωτο χάλυβα για το αρ. είδους 229033, φίλτρο, δίσκος συλλογής κλπ) και για τυχόν ζημιές κατά τη μεταφορά. Σε περίπτωση που προκληθεί ζημιά κατά τη μεταφορά ή αν λείπουν εξαρτήματα, επικοινωνήστε αμέσως με τον προμηθευτή σας.
- Καθαρίστε την εξωτερική επιφάνεια, τους δίσκους και τον δίσκο συλλογής της συσκευής με ένα

μαλακό υγρό πανί και ήπιο απορρυπαντικό. ((Βλ. ==> Καθαρισμός και Συντήρηση). Βεβαιωθείτε ότι όλα τα εξαρτήματα είναι τελείως στεγνά πριν ξεκινήσετε τη λειτουργία της συσκευής.

- Τοποθετείτε τη συσκευή σε οριζόντια, σταθερή, καθαρή και ανθεκτική στη θερμότητα επιφάνεια.
- Αφήστε 15-20 cm ελεύθερο χώρο γύρω από τη συσκευή για τον επαρκή εξαερισμό της.
- Τοποθετήστε τη συσκευή με τέτοιο τρόπο ώστε η πρίζα να είναι πάντα προσβάσιμη.
- Τοποθετήστε έναν δίσκο στο κάτω μέρος της συσκευής για τη συλλογή τυχόν καταλοίπων κατά τη διάρκεια της λειτουργίας.
- Προσθέστε ένα πλέγμα στην σχάρα ανοξείδωτου χάλυβα για μικρό μέγεθος τροφής.

Σημείωση: Αφού καθαρίσετε τη συσκευή, ενεργοποιήστε την (βλ. ==> Λειτουργία) για περίπου 30 λεπτά σε θερμοκρασία 75°C. Ενδέχεται να εξέλθει οσμή ή καπνός κατά τους πρώτους κύκλους λειτουργίας της συσκευής. Αυτό είναι φυσιολογικό και δεν υποδηλώνει βλάβη ή κίνδυνο. Βεβαιωθείτε ότι η συσκευή διαθέτει καλό εξαερισμό.

GR



Οδηγίες για την προετοιμασία των τροφίμων

- Για λόγους ασφαλούς και υγιεινής συντήρησης, πλύνετε καλά όλα τα τρόφιμα πριν τα τοποθετήσετε στη συσκευή.
- Τοποθετείτε μόνο μη αλλοιωμένα τρόφιμα. Τα χτυπημένα σημεία των τροφίμων πρέπει να αφαιρούνται.
- Το αποτέλεσμα θα είναι ακόμη πιο ομοιόμορφο εάν τα τρόφιμα είναι κομμένα σε κομμάτια ίδιου μεγέθους.
- Για να μειώσετε τον χρόνο αποξήρανσης, κόψτε τα τρόφιμα σε λεπτές φέτες ή κομμάτια.
- Η διαδικασία αποξήρανσης πρέπει να είναι συνεχής και να μην διακοπεί.

Χρόνος (κατά προσέγγιση) και οδηγίες αποξήρανσης των τροφίμων

Ο χρόνος που απαιτείται για την αποξήρανση εξαρτάται σε μεγάλο βαθμό από το είδος, την περιεκτικότητα σε υγρασία, το επίπεδο ωρίμανσης

και το πάχος του τροφίμου που πρόκειται να αποξηρανθεί, καθώς και από τη θερμοκρασία και την υγρασία του εσωτερικού θαλάμου.

Αποθήκευση των αποξηραμένων τροφίμων

- Αφήστε τα αποξηραμένα τρόφιμα να κρυώσουν καλά και βεβαιωθείτε ότι είναι απολύτως στεγνά πριν τα αποθηκεύσετε.
- Για να αποφύγετε τυχόν αλλοίωση, τα τρόφιμα πρέπει να αποθηκεύονται σε χώρο χωρίς υγρασία και σε δοχεία, γυάλινα σκεύη ή πλαστικές σακούλες που σφραγίζονται αεροστεγώς. Η αφαίρεση αέρα είναι η πιο κατάλληλη μέθοδος συντήρησης.
- Για μεγαλύτερη διάρκεια ζωής, τα αποξηραμένα τρόφιμα πρέπει να φυλάσσονται σε ξηρό, δροσερό και καθαρό χώρο.

Λειτουργία

- Τοποθετείτε τη συσκευή σε οριζόντια, σταθερή, αντιολισθητική και ανθεκτική στη θερμότητα επιφάνεια.
- Τοποθετήστε το φαγητό ομοιόμορφα στους δίσκους, διασφαλίζοντας ότι δεν επικαλύπτεται. Για καλύτερο αερισμό του εσωτερικού θαλάμου της συσκευής δεν πρέπει να τοποθετείται φαγητό στο 10% της επιφάνειας του δίσκου.
- Αφαιρέστε τους δίσκους που δεν θα χρησιμοποιηθούν. Μπορείτε να χρησιμοποιήσετε έως και δέκα δίσκους ταυτόχρονα.
- Κατά την τοποθέτηση των δίσκων, βεβαιωθείτε ότι είναι ευθυγραμμισμένοι με την πλευρική επιφάνεια και κλείστε καλά την πόρτα.
- Στη συνέχεια, συνδέστε τη συσκευή σε μια κατάλληλη πρίζα. Η συσκευή θα μεταβεί σε κατάσταση ANAMONHΣ. Θα ακουστεί ένας ήχος, το κουμπί ON/OFF θα ανάψει με μπλε χρώμα και στην οθόνη LED θα εμφανιστούν τέσσερις λευκό παύλες («0000»).
- Πατήστε το κουμπί ON/OFF για να ξεκινήσετε τη λειτουργία της συσκευής. Στην οθόνη LED θα εμφανιστεί η προεπιλεγμένη ώρα «10:00» (10 ώρες). Όλα τα κουμπιά στον πίνακα ελέγχου θα ανάψουν με μπλε χρώμα.

Ρύθμιση χρονομέτρου:

- Μπορείτε να πατήσετε το κουμπί + ή - για να αυξήσετε ή να μειώσετε τον χρόνο λειτουργίας. (Εύρος: 00:30 ~ 24:00, ο χρόνος αυξάνεται ή μειώνεται ανά 30 λεπτά).
- Ο χρόνος ρύθμισης θα αποθηκευτεί αυτόματα μέσα σε λίγα δευτερόλεπτα.
- Στη συνέχεια, η συσκευή θα αρχίσει να λειτουργεί και στην οθόνη LED θα εμφανίζεται ο υπολειπόμενος χρόνος. Ο ανεμιστήρας στην πίσω πλευρά της συσκευής θα αρχίσει να περιστρέφεται.

Ρύθμιση θερμοκρασίας:

- Πατήστε μία φορά το κουμπί TEMP/TIME για να ελέγξετε τη ρύθμιση της θερμοκρασίας και το κουμπί + ή - για να αυξήσετε ή να μειώσετε τη θερμοκρασία λειτουργίας. (Προεπιλεγμένη θερμοκρασία: 70°C, εύρος: 35°C ~ 75°C, με αυξομείωση ανά 5°C).
- Η θερμοκρασία ρύθμισης θα αποθηκευτεί αυτόματα μέσα σε λίγα δευτερόλεπτα και στην οθόνη LED θα εμφανιστεί ο υπολειπόμενος χρόνος.
- Εάν θέλετε να ελέγξετε τη θερμοκρασία που έχει ρυθμιστεί, πατήστε μία φορά το κουμπί TEMP/TIME και η θερμοκρασία θα εμφανιστεί στην οθόνη LED.
- Κατά τη λειτουργία της συσκευής, μπορείτε να ελέγξετε ή να αλλάξετε την ώρα και τη θερμοκρασία πιέζοντας το κουμπί TEMP/TIME. Στη συνέχεια, πατήστε το κουμπί + ή - για να αυξήσετε ή να μειώσετε τη θερμοκρασία και την ώρα.

Μετάβαση σε κατάσταση ANAMONHΣ

- Πατήστε το κουμπί ON/OFF για μετάβαση της συσκευής σε κατάσταση ANAMONHΣ. Όλα τα κουμπιά θα σβήσουν εκτός από το κουμπί ON/OFF. Στην οθόνη LED θα εμφανιστούν τέσσερις λευκό παύλες («0000»).

Αντίστροφη μέτρηση χρονόμετρου

- Όταν ολοκληρωθεί η αντίστροφη μέτρηση και εμφανιστεί η ένδειξη 00:00, πρώτα θα σταματήσουν να λειτουργούν τα θερμαντικά στοιχεία. Ο ανεμιστήρας ψύξης θα συνεχίσει να λειτουργεί για περίπου 10 δευτερόλεπτα και θα ακουστούν 20 σύντομοι ήχοι που ειδοποιούν τον χρήστη ότι η λειτουργία ολοκληρώθηκε.
- Στην οθόνη LED θα εμφανιστεί η ένδειξη «End» και η συσκευή θα μεταβεί σε κατάσταση ANAMONHΣ.
- Αποσυνδέστε τη συσκευή και φορέστε γάντια (δεν περιλαμβάνονται), εάν είναι απαραίτητο, για να βγάλετε τα τρόφιμα από τη συσκευή.

Καθαρισμός και Συντήρηση

Προσοχή: Να αποσυνδέετε πάντα τη συσκευή από την πρίζα και να την αφήνετε να κρυώνει τελείως πριν την καθαρίσετε.

Καθαρισμός

- Καθαρίστε εσωτερικά και εξωτερικά τη συσκευή, τους δίσκους, τον δίσκο συλλογής και την πόρτα με χλιαρό νερό, ήπιο καθαριστικό και μαλακό πανί. Μην καθαρίζετε την περιοχή του ανεμιστήρα.
- Στεγνώστε όλα τα εξαρτήματα με ένα στεγνό πανί πριν αποθηκεύσετε τη συσκευή.
- Καθαρίζετε τακτικά τη μονάδα ανεμιστήρα με ηλεκτρική σκούπα.
- Σημείωση! Μην καθαρίζετε τη συσκευή με επιθετικά χημικά ή τριπτικά προϊόντα για την αποφυγή ζημιών.

Αποθήκευση

- Πριν αποθηκεύσετε την συσκευή, βεβαιωθείτε ότι έχει αποσυνδεθεί από την πρίζα και έχει κρυώσει τελείως.
- Φυλάξτε τη συσκευή σε δροσερό, καθαρό και ξηρό μέρος και μακριά από παιδιά.



Αντιμετώπιση προβλημάτων

Αν η συσκευή δεν λειτουργεί σωστά, συμβουλευτείτε τον παρακάτω πίνακα για πιθανές λύσεις. Αν συνεχίσετε να μην μπορείτε να επιλύσετε το πρόβλημα, επικοινωνήστε με τον προμηθευτή/πάρχοο σέρβις.

Πρόβλημα	Πιθανή αιτία	Λύση
Ο διακόπτης ON/OFF δεν ανάβει με κόκκινο χρώμα	Δεν παρέχεται ηλεκτρικό ρεύμα	Ελέγξτε εάν το βύσμα είναι συνδεδεμένο στην πρίζα
	Ελάττωμα στον διακόπτη	Επικοινωνήστε με τον προμηθευτή
Ο θάλαμος δεν θερμαίνεται	Πιθανό ελάττωμα σε στοιχείο θέρμανσης, θερμοστάτη ή ανεμιστήρα	Επικοινωνήστε με τον προμηθευτή
Ο θάλαμος θερμαίνεται υπερβολικά	Πιθανό ελάττωμα σε στοιχείο θέρμανσης ή θερμοστάτη	Επικοινωνήστε με τον προμηθευτή
Η αποξήρανση παίρνει πολύ χρόνο	Συνθήκες υγρασίας	Τοποθετήστε τη συσκευή σε περιβάλλον με λιγότερη υγρασία
	Ελάττωμα σε στοιχείο θέρμανσης, ανεμιστήρα ή θερμοστάτη	Επικοινωνήστε με τον προμηθευτή

Τεχνικές προδιαγραφές

Αρ. προϊόντος	229026	229033
Τάση και συχνότητα λειτουργίας	220- 240V~ 50-60Hz	
Όνομαστική ισχύς εισόδου	900 - 1100W	550 - 650W
Εύρος θερμοκρασίας	35°C ~ 75°C	
Εύρος χρονομέτρου	30 λεπτά έως 24 ώρες	
Κατηγορία προστασίας	Κατηγορία I	
Αριθμός ραφιών	10	6
Διαστάσεις	417x535x(Υ)430 mm	340x450x(Υ)311 mm

Σημείωση: Οι τεχνικές προδιαγραφές μπορούν να τροποποιηθούν χωρίς προηγούμενη ειδοποίηση.

Εγγύηση

Οποιοδήποτε ελάττωμα επηρεάζει τη λειτουργικότητα της συσκευής που γίνεται προφανές δύο χρόνια μετά την αγορά της, θα διορθώνεται με δωρεάν επισκευή ή αντικατάσταση, αρκεί η συσκευή να έχει χρησιμοποιηθεί και συντηρηθεί σύμφωνα με τις οδηγίες και να μην έχει γίνει κατάχρηση ή λανθασμένη χρήση της με οποιονδήποτε τρόπο. Δε θίγονται τα νόμιμα δικαιώματά σας. Εάν η συσκευή υποστηρίζεται

από εγγύηση, δηλώστε πού και πότε έχει αγοραστεί και συμπεριλάβετε την απόδειξη αγοράς (π.χ. απόδειξη λιανικής πώλησης).

Σύμφωνα με την πολιτική μας για τη συνεχή εξέλιξη των προϊόντων μας, διατηρούμε το δικαίωμα να αλλάξουμε το προϊόν, τη συσκευασία και τις προδιαγραφές τεκμηρίωσής του χωρίς προειδοποίηση.



Απόρριψη & Περιβάλλον

Η συσκευή, μετά το πέρας της διάρκειας ζωής της, δεν πρέπει να απορρίπτεται ως οικιακό απόρριμμα. Πρέπει να απορρίπτεται, με δική σας ευθύνη, σε καθορισμένο σημείο συλλογής. Η μη τήρηση αυτού ενδέχεται να τιμωρείται σύμφωνα με τους ισχύοντες κανονισμούς για τη διάθεση των απορριμμάτων. Η χωριστή συλλογή και ανακύκλωση αυτής της συσκευής κατά τη στιγμή της απόρριψης βοηθά στη διατήρηση των φυσικών πόρων και εξασφαλίζει την

ανακύκλωσή της με τρόπο που προστατεύει την ανθρώπινη υγεία και το περιβάλλον. Για περισσότερες πληροφορίες σχετικά με το πού μπορείτε να απορρίψετε τη συσκευή για ανακύκλωση, επικοινωνήστε με την τοπική εταιρεία συλλογής απορριμμάτων. Οι κατασκευαστές και οι εισαγωγείς δεν αναλαμβάνουν την ευθύνη ανακύκλωσης, επεξεργασίας και οικολογικής διάθεσης, είτε άμεσα είτε μέσω δημόσιου συστήματος.

ΣΕΡΒΙΣ ΕΛΛΑΔΟΣ:

Τηλ.: 213 0 998989 (10 γραμμές)

info@pks-hendi.com





HENDI

Tools for Chefs

Hendi B.V.

Steenoven 21
3911 TX Rhenen, The Netherlands
Tel: +31 (0)317 681 040
Email: info@hendi.eu

Hendi Polska Sp. z o.o.

ul. Magazynowa 5
62-023 Gądkki, Poland
Tel: +48 61 6587000
Email: info@hendi.pl

Hendi Food Service Equipment GmbH

Gewerbegebiet Ehring 15
5112 Lamprechtshausen, Austria
Tel: +43 (0) 6274 200 10 0
Email: office.austria@hendi.eu

Hendi Food Service Equipment Romania Srl

Str. 13 decembrie 94A, Hala 14
Braşov, 500164, Romania
Tel: +40 268 320330
Email: office@hendi.ro

PKS Hendi South East Europe SA

5 Metsovou Str.
18346 Moschato, Athens, Greece
Tel: +30 210 4839700
Email: office.greece@hendi.eu

Hendi HK Ltd.

1208, 12/F Exchange Tower
33 Wang Chiu Road, Kowloon Bay, Hong Kong
Tel: +852 2154 2618
Email: info-hk@hendi.eu

Find Hendi on internet:

www.hendi.eu
www.facebook.com/HendiToolsforChefs
www.linkedin.com/company/hendi-food-service-equipment-b.v.
www.youtube.com/HendiEquipment

- Changes, printing and typesetting errors reserved.
- Änderungen und Druckfehler vorbehalten.
- Wijzigingen en drukfouten voorbehouden.
- Producent zastrzega sobie prawo do zmian oraz błądów drukarskich w instrukcji.
- Variations et fautes d'impression réservés.

- Errori di cambiamenti, di stampa e di impaginazione riservati.
- Drepturi rezervate cu privire la modificări și greșeli de imprimare.
- Изменения, печати и верстки ошибки защищены.
- Με επιφύλαξη αλλαγών, λαθών εκτύπωσης και στοιχειοθεσίας.